

MEDIUM BI-PIN STRAIGHT-IN LAMPHOLDERS

Low Profile • G13 Base



LINEAR FLUORESCENT



13150-UR7

Straight-In Lampholders for T-8 and T-12 Lamps

Low Profile Size

Straight-in double-edge contacts. Body is white thermosetting urea. Quickwire pressure terminals accept No. 18 gauge stranded, twisted and overtinned or No. 18 gauge solid or solder-dipped leads, stripped 3/8". Unplated contacts are standard.

Standard pack: bulk

Cat. No. 13150-UR7

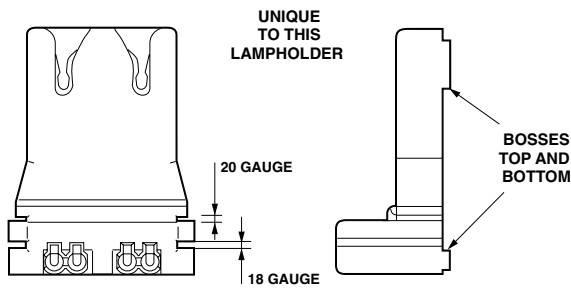
Lampholder with Internal Shunt Connection

Specially designed for use with electronic ballasts.

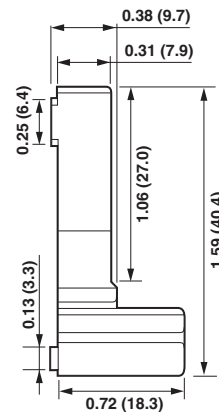
Provides easier fixture assembly by eliminating need for jumper-wire. Large "S" identifies shunted version.

Cat. No. 23150-UR7

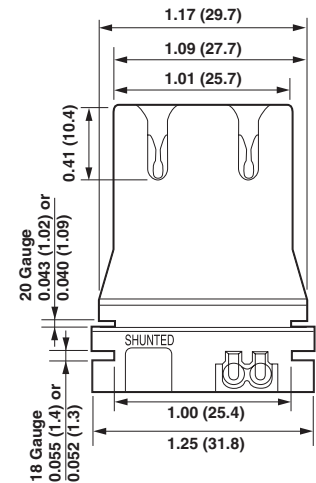
- 660W-600V
- UL Listed E-5833
- CSA Certified LR-1863
- NOM Certified 057



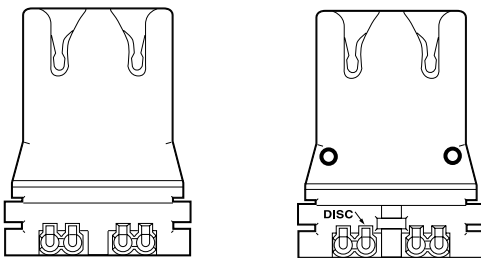
Cat. No. 13150-UR7 (Less Nut Slot)



Cat. No. 23150-UR7
(Less Nut Slot)



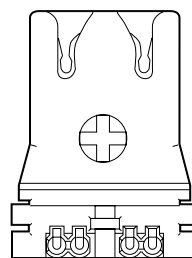
With Wings for 20 Gauge Panel



Cat. No. 13150-UR5
11/32" thick, less nut slot

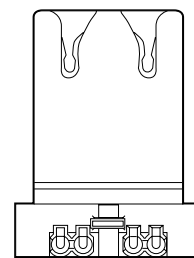
Cat. No. 13151-00D
5/16" thick, disconnect

With Wings for 18 Gauge Panel



Cat. No. 13153-00U
5/16" thick

Without Wings for Screw Mounting



Cat. No. 13250-0UN 11/32" thick,
captive nut and screws, furnished bulk