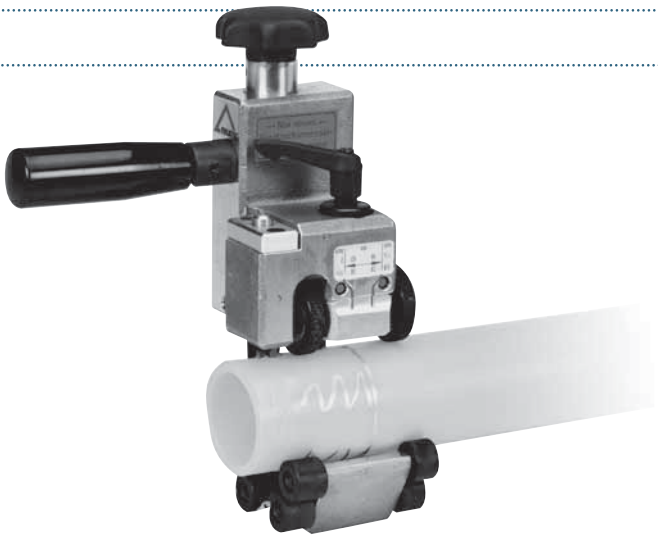
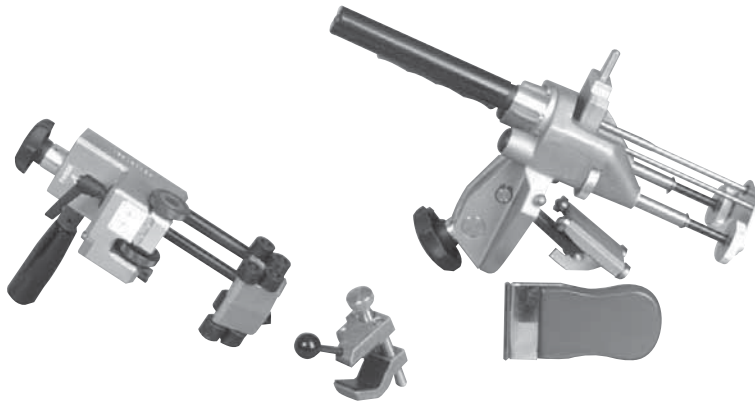


SCRAPER TOOLS

Scraper Tools with Accessories



FRIALEN scraper tools are designed to assist the installer in producing a quality electrofusion joint every time.



Scraper Tools	Product Code	Pipe Size Compatibility
FWZ Hand Scraper	328018	all
FWSG 63 Scraper Tool w/ Case	128034	1/2" IPS – 2" IPS
FWSG 315 Scraper Tool w/ Case	128036	3" IPS – 8" IPS 4" DIP – 6" DIP
Scraper Tools w/ Case (complete set) Includes: FWSG 63 & FWSG 315	128039	1/2" IPS – 2" IPS 3" IPS – 10" IPS 4" DIP – 6" DIP
FWSG 710 Scraper Tool w/ Case	128190	6" IPS – 28" IPS 6" DIP – 20" DIP

Accessories	Product Code
Spare Blades for FWZ Hand Scraper (set of 5 blades)	328017
Spare Blade Kit for FWSG 63 3 blades, 2 screws, 1 driver	128041
Spare Blade Kit for FWSG 315 3 blades, 2 screws, 1 driver	128040
Spare Blade Kit for FWSG 630/710 3 blades, 2 screws, 1 driver	128042
Aluminum Carrying Case for FWSG 630-710 Scraper Tool	128198
Aluminum Carrying Case for FWSG 63-315 Scraper Tool	128035