

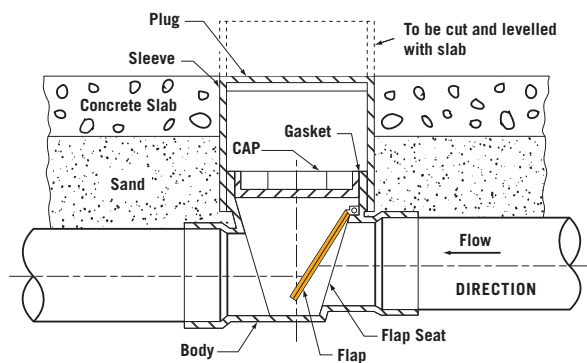
BACKWATER VALVES

TODAY'S BEST PROTECTION AGAINST SEWER BACKUPS

Any building connected to a sewer is subject to a possible sewer backup. An IPEX Backwater Valve can offer protection against this potential disaster. Available in both PVC and ABS lightweight, corrosion-resistant plastic, and are certified with CSA and IAPMO to B181.2 for PVC and to B181.1 for ABS.

HOW IT WORKS

The IPEX Backwater Valve will allow flow in only one direction. Effluent flowing out of the house pushes the flapper open and drains to the sewer. During backup conditions however, the flapper is pushed closed which creates a positive seal against backflow from progressing further up the pipeline.



APPLICATIONS

- Back Flow Prevention (gravity flow only)

STANDARDS



i DID YOU KNOW?

IPEX recommends annual inspection of backwater valves to ensure no obstructions interfere with the sealing of the flapper.

ADVANTAGES

- 1 Available in both PVC and ABS
- 2 Lightweight
- 3 Corrosion resistant
- 4 Smooth walls provide high flow capacity
- 5 Easy to install – hubs are sized to fit DWV or sewer pipe
- 6 Arrows clearly indicate the flow direction
- 7 Access chimneys and plugs are available to facilitate installation under concrete floor slabs
- 8 Approved by CSA and IAPMO



PRODUCT SELECTION CHART

	Dimension		Product Code
	inches	mm	
Backwater Valve with Threaded Cap ABS DWV Hub			
without chimney	1-1/2	40	017009
Hub x Hub x Male Pipe Thread	2	50	017010

	Dimension		Product Code
	inches	mm	
Backwater Valve with Threaded Plug ABS DWV Hub			
without chimney	3	75	017011
Hub x Hub x Female Pipe Thread	4	100	017012

	Dimension		Product Code
	inches	mm	
Backwater Valve with Threaded Plug PVC DWV Hub			
without chimney	1-1/2	40	026045
Hub x Hub x Male Pipe Thread	2	50	026044
	3	75	017503
	4	100	017504

	Dimension		Product Code
	inches	mm	
Backwater Valve with Threaded Plug PVC Sewer Hub			
without chimney	4	100	040523
Hub x Hub x Male Pipe Thread			

	Dimension		Product Code
	inches	mm	
Backwater Valve with Threaded Plug ABS DWV Hub			
with chimney and spigot plug	3	75	017014
Hub x Hub x Female Pipe Thread	4	100	017013

	Dimension		Product Code
	inches	mm	
Backwater Valve with Threaded Plug PVC DWV Hub			
with chimney and spigot plug	3	75	017523
Hub x Hub x Male Pipe Thread	4	100	017524

	Dimension		Product Code
	inches	mm	
Backwater Valve with Threaded Plug PVC Sewer Hub			
with chimney and spigot plug	4	100	040524
Hub x Hub x Male Pipe Thread			

NOTE – Replacement caps, plugs, flappers and chimneys are available upon request.

