

COUPLINGS

1/2" CTS through 28" IPS 

Our Couplings and Fittings deliver flexibility and reliability. No one offers a wider range of coupling sizes and every FRIATEC fitting is ASTM approved.

Field of Application Connections of PE Pipes 2406/2708 and 3408/4710

Range of Application Gas up to 125 psi and water up to 200 psi

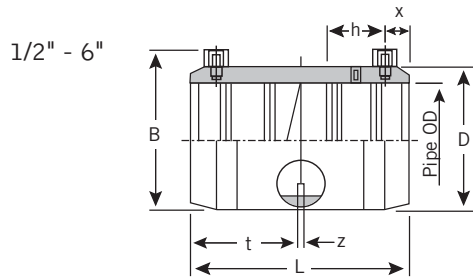


see pg 5 for
specific size
applications

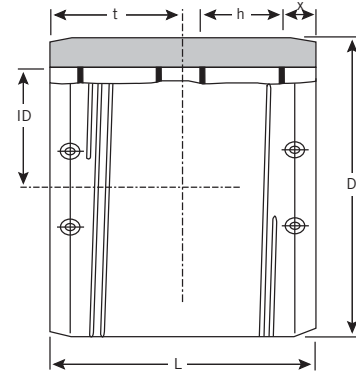




1/2" CTS through 30" IPS cont'd



8" - 30"



Nominal Pipe OD	CTS SDR	Product Code	ID min	ID max	D	B	L	t	z	h	x	Fusion Time/Sec @ 73°F	Cooling Time/Min */**/**
1/2"	80	125000	-	-	2,13	1030	132	330	450	603	19	27	46,000
1"												28	

Nominal Pipe OD	IPS SDR	Product Code	ID min	ID max	D	B	L	t	z	h	x	Fusion Time/Sec @ 73°F	Cooling Time/Min */**/**
3/4"	11	128026	-	-	-	-	-	-	0.079	-	-	28	05/08/10
1"	11	128024	-	-	-	-	-	-	0.079	-	-	28	05/08/10
1-1/4"	11	128025	-	-	-	-	-	-	0.079	-	-	34	10/15/25
1-1/2"	11	128033	-	-	-	-	-	-	0.079	-	-	34	10/15/25
2"	11	128028	2.374	2.390	3.110	3.642	4.449	2.185	0.079	1.280	0.061	54	10/15/25
3"	11	128029	3.496	3.516	4.449	5.057	5.433	2.677	0.079	1.555	0.669	100	10/30/40
4"	11	128030	4.492	4.512	5.591	6.126	6.260	3.089	0.079	1.728	0.768	151	10/30/40
6"	11	128032	6.610	6.634	8.150	8.467	7.480	3.681	0.118	1.900	0.886	440	20/60/75
8" monofilar	11	128060	8.626	8.650	10.669	10.738	9.252	4.528	0.197	2.443	1.063	540	20/60/75
8" bifilar	11	128023	-	-	-	-	-	-	-	-	-	554 ea side	20/60/75
10"	11	128061	10.787	10.827	13.976	-	11.811	5.905	-	3.378	1.142	500 ea side	30/75/100
12"	11	128062	12.748	12.787	15.748	-	11.220	5.610	-	3.027	1.142	550 ea side	30/75/100
14"	11	128064	13.976	14.016	17.716	-	11.811	5.905	-	3.480	1.142	580 ea side	30/75/100
16"	11	128063	15.969	16.008	19.685	-	12.598	6.299	-	3.715	1.142	870/730 ea side	45/95/120
18"	11	128065	17.969	18.008	22.047	-	11.811	5.905	-	3.378	1.142	870/870 ea side	45/95/120
20"	11	128176	19.961	20.016	24.803	-	14.173	7.086	-	3.425	1.142	870/720 ea side	45/95/120
22"	17	128066	21.961	22.016	24.803	-	14.566	7.283	-	3.150	1.260	870/720 ea side	45/95/120
24"	13.5	128067	24.000	24.039	27.952	-	15.748	7.874	-	4.093	1.260	870/850 ea side	45/95/120
28"	17	128068	27.992	28.031	31.496	-	15.748	7.874	-	3.168	1.811	850/850 ea side	45/95/120
30"	11	228451	29.980	30.020	37.008	-	19.684	9.842	-	5.376	1.614	1680/1740 ea side	60/90/120

FRIATEC Safety Fittings can be fused to all PE pipes SDR range 11 through 17.6.

- * Pipe can be moved after indicated cooling time (handling)
- ** Pipe can be pressurized after indicated cooling time (pressure <90 psi)
- *** Pipe can be pressurized after indicated cooling time (pressure >90 psi)
- † FM 200 psi, Short Designation: MBI...OD
- ‡ NSF approved