



SA Branch Saddles

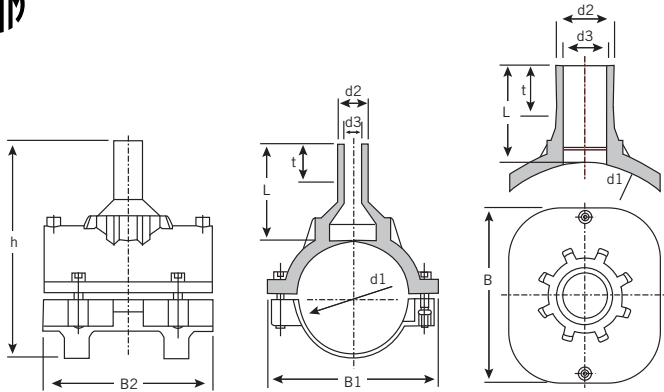
Field of Application Installation of service and branch pipes to PE pipes 2406/2708 and 3408/4710

Range of Application Gas up to 125** psi and water up to 200 psi

SA Branch Saddles are available with either a 2", 3" or 4" outlet

Benefits include:

- NSF-61



Nominal Pipe d1 (in)	Main Size d2	Nominal Outlet	Product Code	d3	L	h	t	B1	B2
3"	IPS	2 IPS	228184	1.969	4.055	8.150	2.756	6.102	5.906
4"	IPS	2 IPS	228185	1.929	4.291	9.173	2.205	6.890	7.087
4"	DIPS	2 IPS	228296	1.929	4.291	9.173	2.205	6.890	7.087
4"	IPS	3 IPS	228186	2.756	4.528	8.976	3.543	6.496	7.480
4"	DIPS	3 IPS	228297	2.756	4.528	8.976	3.543	6.496	7.480
6"	IPS	2 IPS	228144	1.850	4.291	11.142	2.205	8.858	7.677
6"	DIPS	2 IPS	228305	1.850	4.291	11.142	2.205	8.858	7.677
6"	IPS	3 IPS	228180	2.717	5.079	11.496	3.937	8.543	9.646
6"	DIPS	3 IPS	228306	2.717	5.079	11.496	3.937	8.543	9.646
6"	IPS	4 IPS	228277	3.543	5.512	12.256	4.291	9.055	10.433
8" - TL *	IPS	2 IPS	228146	1.850	4.291	12.244	2.205	9.843	7.677
8" - TL *	DIPS	2 IPS	228311	1.850	4.291	13.228	2.205	10.039	7.677
8" - TL *	IPS	3 IPS	228181	2.402	4.567	13.780	3.150	10.039	7.677
8" - TL *	DIPS	3 IPS	228312	2.402	4.567	13.780	3.150	10.039	7.677
8"	IPS	4 IPS	228276	3.543	5.512	14.256	4.370	11.220	11.024
10" - 22" - TL *	IPS	2 IPS	228182	1.850	4.291	--	2.205	--	7.874
10" - 20" - TL *	DIPS	2 IPS	228182	1.850	4.291	--	2.205	--	7.874
10" - 22" - TL *	IPS	3 IPS	228187	2.402	4.567	--	3.150	--	7.874
10" - 20" - TL *	DIPS	3 IPS	228187	2.402	4.567	--	3.150	--	7.874

* FRIATEC Pneumatic Top-loading tool required

** Gas up to 100psi in United States as per ASTM D2513-99

The saddle of the FRIATEC Safety Fittings can be fused to all PE pipes SDR range 11 through 17.5.

The end of the outlet can be electrofused to all PE pipes SDR range 11 through 17.5.

PE pipes of different melt index groups can be joined.