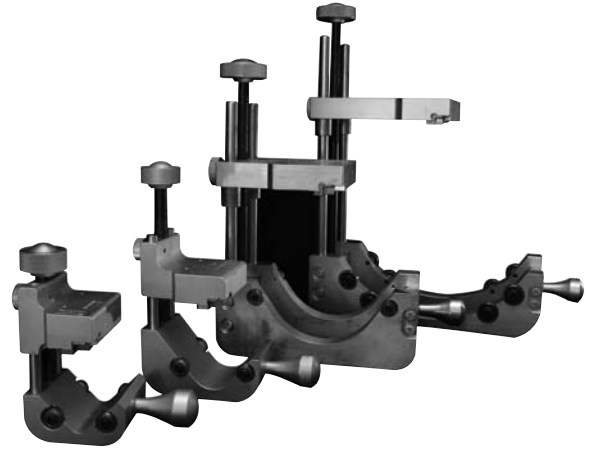


## **EFS** Scraper Tools

The new EFS IPEX family of PE pipe and tubing scrapers are the most versatile multi-size electrofusion scrapers available today. Utilizing a mechanical locking cam, fast adjusting ACME threaded feed screw and unique floating blade system our scrapers eliminates scrape zone skipping and guide wheel lock-up. It even produces a uniform scrape on oval pipe. Why take a chance on missing the mark by using inferior scraping tools. EFS scrapers offer complete value; strong, consistent, long lasting and locally stocked and supported by IPEX.

- Scrapes both pipe end for coupling applications and side wall for tap tee
- Four sided scraper blade allows for longer intervals between blade replacement
- Serviceable in-house
- Scrapes flanges
- Self adjusting blade head controls scraping thickness



Pipe Size	Product Code
1-1/4" through 2"	128212
2" through 4"	128213
6" through 8"	128214
10" through 12"	128215