

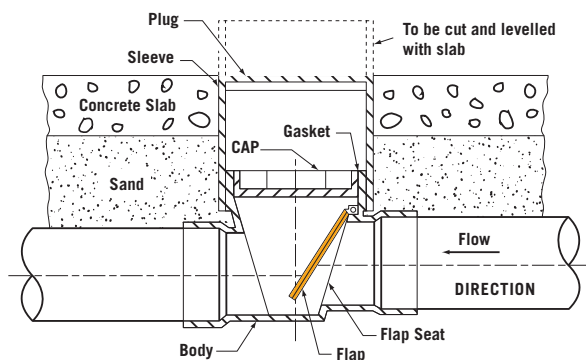
## BACKWATER VALVES

### TODAY'S BEST PROTECTION AGAINST SEWER BACKUPS

Any building connected to a sewer is subject to a possible sewer backup. Only by installing an IPEX Backwater Valve can you be sure that your project is protected against this potential disaster. Available in both PVC and ABS lightweight, corrosion-resistant plastic, our 3", 4" and 6" valves are certified by CSA, NSF and IAPMO.

### HOW IT WORKS

The IPEX Backwater Valve will allow flow in only one direction. Effluent flowing out of the house pushes the flapper open and drains to the sewer. During backup conditions however, the flapper is pushed closed which creates a positive seal against backflow from progressing further up the pipeline.



### APPLICATIONS

- Back Flow Prevention (gravity flow only)

### STANDARDS



### **i** DID YOU KNOW?

A properly installed backwater valve will stop sewer backups from coming up through basement drains and plumbing fixtures, protecting your home from flood damage from rainwater or sanitary waste.

### ADVANTAGES

- 1 Available in both PVC and ABS Plastic
- 2 Lightweight
- 3 Corrosion resistant
- 4 Smooth walls prevent solids from accumulating and interfering with valve operation
- 5 Easy to install – hubs are sized to fit DWV or sewer pipe
- 6 Arrows clearly indicate the flow direction
- 7 Access chimneys and plugs are available to facilitate installation under concrete floor slabs
- 8 CSA certified



## PRODUCT SELECTION CHART

	Dimension		Product Code
	inches	mm	

<b>Backwater Valve with Threaded Cap</b> ABS DWV Hub			
without chimney	1-1/2	40	017491
Hub x Hub x Male Pipe Thread	2	50	017492

<b>Backwater Valve with Threaded Plug</b> ABS DWV Hub			
without chimney	3	75	017495
Hub x Hub x Male Pipe Thread	4	100	017494
	6	150	017486

<b>Backwater Valve with Threaded Plug</b> PVC DWV Hub			
without chimney	3	75	017503
Hub x Hub x Male Pipe Thread	4	100	017504
	6	150	017506

<b>Backwater Valve with Threaded Plug</b> PVC Sewer Hub			
without chimney	4	100	040523
Hub x Hub x Male Pipe Thread			

	Dimension		Product Code
	inches	mm	

<b>Backwater Valve with Threaded Plug</b> ABS DWV Hub			
with chimney and spigot plug	3	75	017493
Hub x Hub x Male Pipe Thread	4	100	017496

<b>Backwater Valve with Threaded Plug</b> PVC DWV Hub			
with chimney and spigot plug	3	75	017523
Hub x Hub x Male Pipe Thread	4	100	017524

<b>Backwater Valve with Threaded Plug</b> PVC Sewer Hub			
with chimney and spigot plug	4	100	040524
Hub x Hub x Male Pipe Thread			

<b>Backwater Valve Cap</b> Female Pipe Thread			
for 1-1/2" & 2" BWV (40mm & 50mm)	3	75	017893

<b>Backwater Valve Plug</b> Male Pipe Thread			
for 3" (75mm) BWV	4	100	017082
for 4" (100mm) BWV	6	150	017063

<b>Chimney</b> (approximately 16" in length)			
	3	75	017901
	4	100	017900

<b>Chimney Plug</b> Spigot			
for 3" (75mm) BWV	5	125	090072
for 4" (100mm) BWV	6	150	090069

<b>Chimney Plug</b> Spigot			
	1-1/2	40	017085
	2	50	017086
	3	75	017109
	4	100	017107

