



WP3100



WP3103C



WP1100C

## Plastic In-Use Weatherproof Covers

### Single-Gang Models

Plastic In-Use Weatherproof Covers are easy to install and include adhered gasket, mounting screws, base, cover assembly, and inserts to meet the needs of a variety of applications.

#### Applications

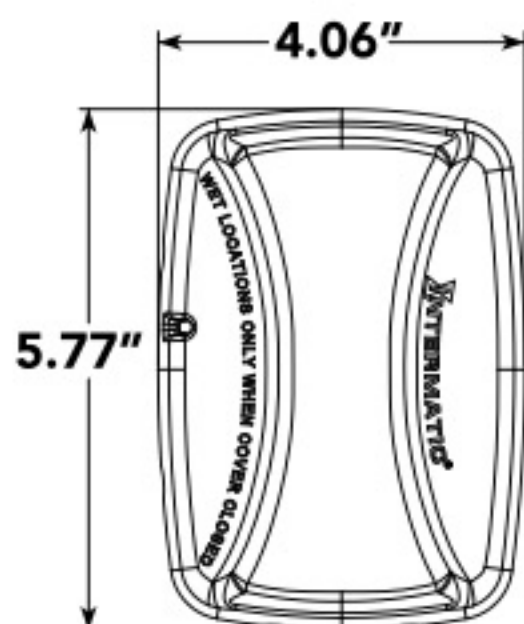
- Industrial • Commercial • Manufacturing • Residential
- Agricultural • Signage • Athletic fields

#### Features

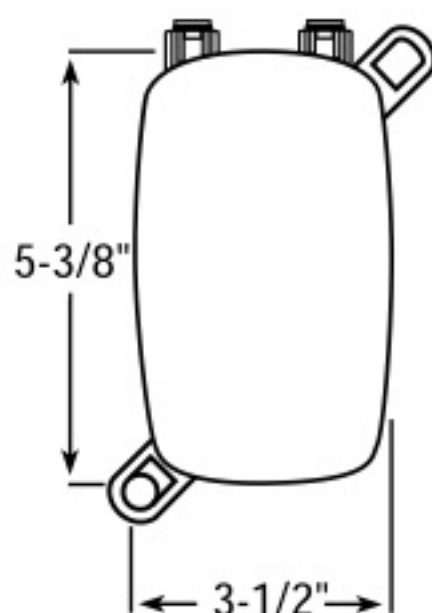
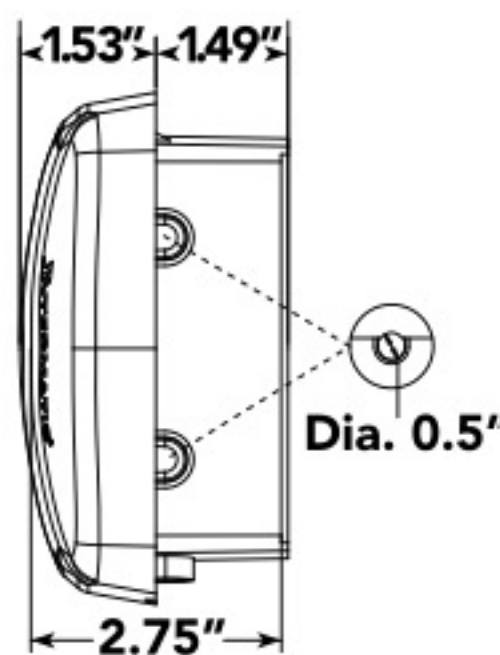
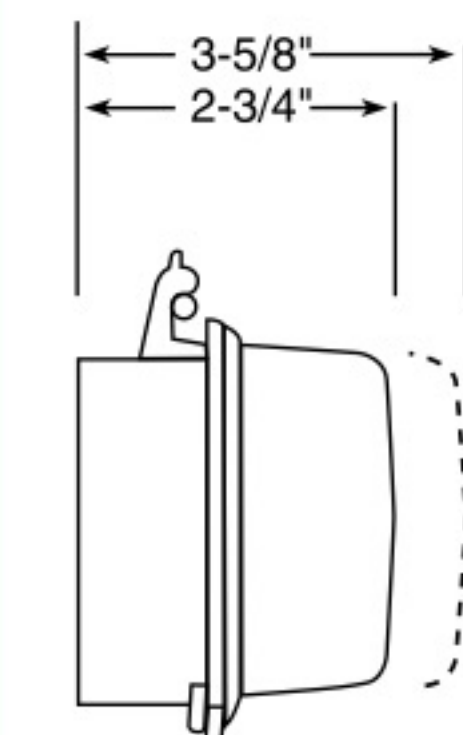
- Complies with 2014 NEC Article 314.15 for damp and wet locations
- Exceeds CEC Article 26-702
- UL Certified for Type 3R outdoor enclosures
- Meets requirements for cold impact testing: -60° F (-51° C)
- Heavy-duty UV stabilized polycarbonate cover, mounting base and inserts
- 1/8" (3 mm) thick, pre-adhered neoprene gasket with slits for mounting screws
- Lockable hasp: All models accept up to 1/4" (6 mm) dia shank; Except WP3100C & WP3103C accept up to 1/8" (3 mm) dia shank
- Three inserts provided with all models that allow each model to meet multiple installations (up to 16 configurations)
- Max cord size: (2) #14 AWG or (1) #12 AWG
- Mounts vertically or horizontally
- Warranty: 1-year limited

#### Dimensions

WP3100



WP1100C, WP1110C



#### Single-Gang - Vertical/Horizontal Hinge



Model #	Color	Depth	Flexi-Guard Inserts
WP3100C*	Clear	2 3/4" (70 mm)	WP17
WP3103C**	Clear	2 3/4" (70 mm)	WP17
WP1100C	Clear	2 3/4" (70 mm)	WP17
WP1100WC	White	2 3/4" (70 mm)	WP17
WP1110C	Clear	3 5/8" (92 mm)	WP17
WP1110GC	Gray	3 5/8" (92 mm)	WP17
WP1110WC	White	3 5/8" (92 mm)	WP17

\*Hidden Hinge.

\*\*Includes 3/0 Adapter Plate for 3" (76 mm) Round Box.

#### Accessories (detailed on pg 122)

Single-Gang Inserts	WP17
---------------------	------