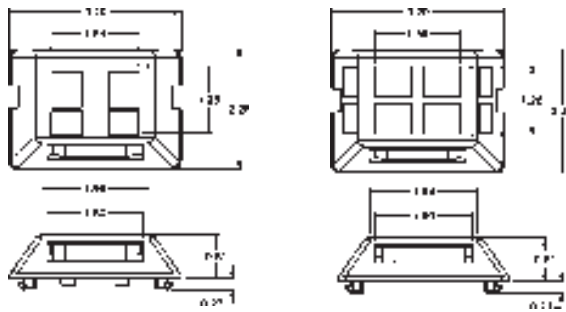


ORDER INFORMATION

Furniture Plates for standard opening size which includes Steelcase, Haworth, HON, Knoll, etc.)



Opening size:	2.71" X 1.38"	2.71" X 1.38"	2.71" X 1.38"	2.71" X 1.38"	2.71" X 1.38"
Color	2-port	4-port	4-port Box	4-port T568A	4-port T568B
Black	FP2BK	FP4BK	FP4BBK	FM5E4A	FM5E4B
Gray	FP2GY	FP4GY	FP4BGY	-	-



Furniture Plates for Herman Miller Beltline

The BSLAP adapter plate may be used with the FP series furniture plates for Herman Miller applications.



	Furniture Reducing Adapter 2.95" X 1.85"	2-port 2.83" X 1.78"	4-port 2.83" X 1.78"
Color			
Black	BSLAP	BRFMP1B01	FMP1B04
Black Voice/Data	-	BRFMP1B02	-
Gray	-	BRFMP1G01	-
Gray Voice/Data	-	BRFMP1G02	-

