



30A 3ØY  
120/208V AC  
NEMA L21-30R  
UL/CSA  
3 HP



30A 3ØY  
277/480V AC  
NEMA L22-30R  
UL/CSA  
10 HP



30A 3ØY  
347/600V AC  
NEMA L23-30R  
UL/CSA

## Connector Bodies

### Watertight Safety-Shroud®

IP66 SUITABILITY    UL Type 4x, 12

Description	Cord Dia.	Catalog Number		
Black Valox® housing, white Valox® clamps.	.350"-1.150" (9-29)	<b>HBL2813SW</b>	<b>HBL2823SW</b>	-



**HBL2813SW**

### Insulgrip®

IP20 SUITABILITY

Description	Cord Dia.	Catalog Number		
Black and white nylon.	.350"-1.150" (9-29)	<b>HBL2813</b>	<b>HBL2823</b>	<b>HBL2833</b>
Corrosion resistant, yellow nylon.	.350"-1.150" (9-29)	<b>HBL28CM13</b>	-	-
Black and white for flat cable.	.350"-1.150" (9-29)	<b>HBL2813FC</b>	-	-
All black nylon.	.350"-1.150" (9-29)	<b>HBL2813BK</b>	-	-



**HBL2813**

Note: See page B-53 for accessories.

## Receptacles

### Watertight Safety-Shroud®

IP66 SUITABILITY    UL Type 4x, 12

Description	Catalog Number		
Gray Valox® housing and flange, back wired.	<b>HBL2810SW</b>	<b>HBL2820SW</b>	<b>HBL2830SW</b>

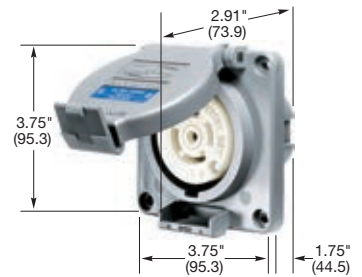
Note: See page B-54 for accessories.

### Safety-Shroud® Twist-Lock®

IP20 SUITABILITY

Description	Catalog Number		
Gray Valox® angle housing, one gang, back wired.	<b>HBL2810AR</b>	-	-
Gray Valox® surface mounting, one gang, back wired.	<b>HBL2810SR</b>	-	-
Gray Valox® semi-flush, two gang, back wired.	<b>HBL2810SR2</b>	-	-

Note: See page B-54 for accessories.



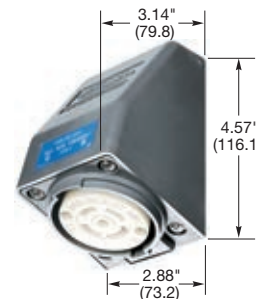
**HBL2810SW**

### Single Flush Receptacles

IP20 SUITABILITY

Description	Catalog Number		
Black nylon face, back and side wired.	<b>HBL2810</b>	<b>HBL2820</b>	<b>HBL2830</b>
Isolated ground, orange nylon face, back and side wired.	<b>IG2810</b>	-	-
Ring terminal connection.	<b>HBL2810RT</b>	-	-

Note: See page B-52 for accessories.

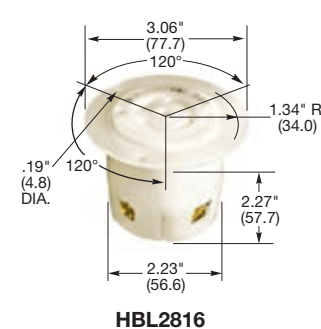


**HBL2810AR**

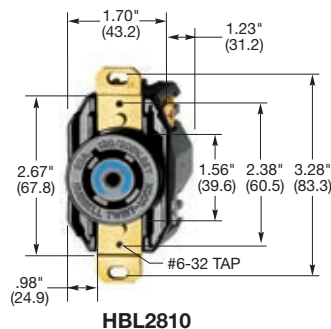
### Insulgrip® Flanged Receptacles

Description	Catalog Number		
Nylon casing, back wired.	<b>HBL2816</b>	<b>HBL2826</b>	<b>HBL2836</b>

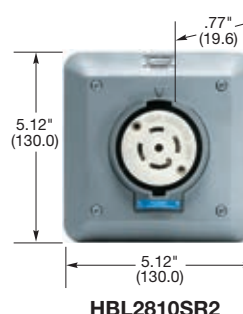
Note: See page B-52 for accessories.



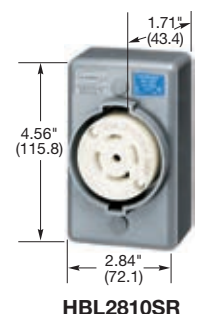
**HBL2816**



**HBL2810**



**HBL2810SR2**



**HBL2810SR**

Valox® is a trademark of SABIC Innovative Plastics, acquired from General Electric Company.

Dimensions in Inches (mm)