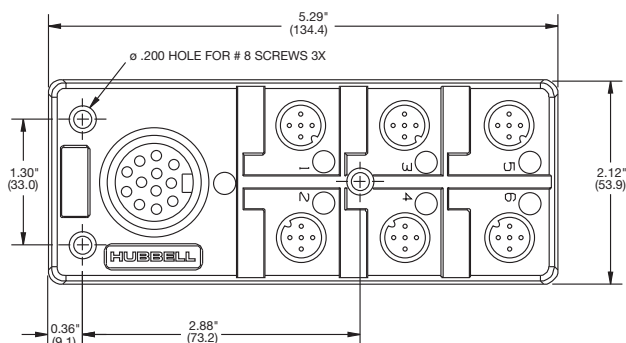


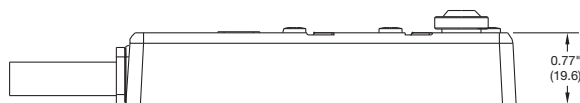
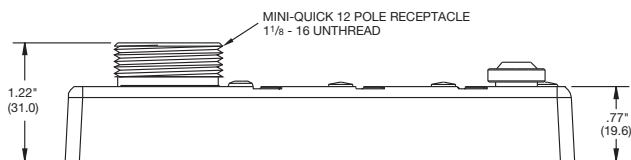
SignalPlex™ Micro Ports




6 Port Enclosures

Enclosure Dimensions

6 Port Front View*

* Hard wired and connectorized enclosures have same enclosure dimensions.

Profile Views**Connectorized****Hard Wired****Micro-Quick 6 Port Enclosures**

Connectorized with Mini-Quick Male Receptacle	Hard Wired with 5m Cable	Micro-Quick Female Receptacle Face View	Poles/Wires	Micro-Quick Circuit Style	Voltage Rating	LED Status
MMC362	MMW36205*		3P/3W	Dual Key	300V AC	w/o LEDs
MMC461 MMC465	MMW46105* MMW46505*		5P/3W	PNP NPN	10 - 30V DC	w/LEDs
MMC561 MMC565	MMW56105* MMW56505*		5P/4W	PNP NPN	10 - 30V DC	w/LEDs

* For additional cable lengths, consult factory.
Mating Mini-Quick cable assemblies are located on page G45.