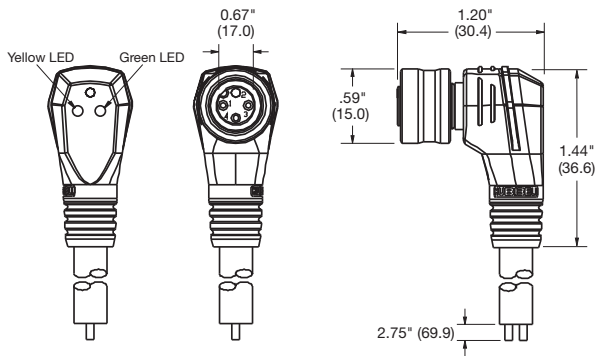
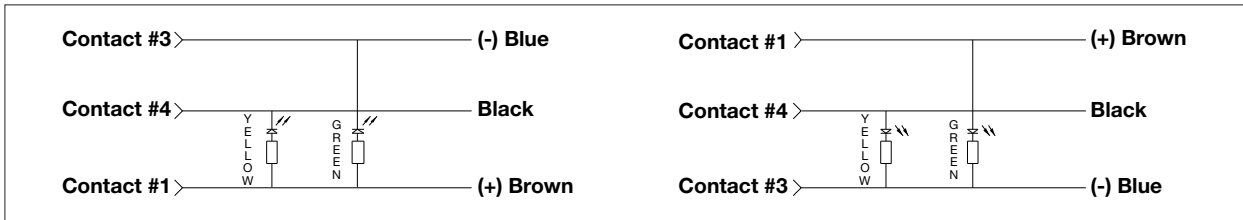


Micro-Quick® Control Connectors LED Cables

LED Plugs

Micro-Quick plugs are available in NPN and PNP LED versions to aid in visibility of sensor functions in the manufacturing plant. These plugs are available in the 3 pole, single key, straight, and right angle configurations. The last digit of each catalog number gives the assembly length in meters, with 22 AWG cable as the standard.

Electrical Rating: 5A/30V DC

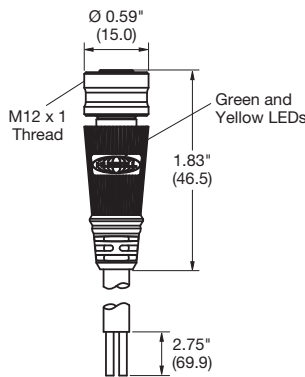


Micro-Quick Right Angle Female LED Plugs

PNP Version Description	Catalog Numbers	
	Metallic Coupling Nut	Nylon Coupling Nut
3 Pole, 2 Meter	MCMP1312	MCNP1312
3 Pole, 4 Meter	MCMP1314	MCNP1314
3 Pole, 5 Meter	MCMP1315	MCNP1315
3 Pole, * Meter	MCMP131*	MCNP131*

NPN Version Description	Catalog Numbers	
	Metallic Coupling Nut	Nylon Coupling Nut
3 Pole, 2 Meter	MCMN1312	MCNN1312
3 Pole, 4 Meter	MCMN1314	MCNN1314
3 Pole, 5 Meter	MCMN1315	MCNN1315
3 Pole, * Meter	MCMN131*	MCNN131*

* User specified cable length



Micro-Quick Straight Female LED Plugs

PNP Version Description	Catalog Numbers	
	Metallic Coupling Nut	Nylon Coupling Nut
3 Pole, 5 Meter	MCMPS1315	MCNPS1315
3 Pole, * Meter	MCMPS131*	MCNPS131*

NPN Version Description	Catalog Numbers	
	Metallic Coupling Nut	Nylon Coupling Nut
3 Pole, 5 Meter	MCMNS1315	MCNNS1315
3 Pole, * Meter	MCMNS131*	MCNNS131*

* User specified cable length

Color Codes

Wire	Color
1	Brown
2	Not Used
3	Blue
4	Black