

Watertight Devices Ordering Information

Pin and Sleeve C-Series

20 through 100 Ampere – North American Ratings

16 through 125 Ampere – International Ratings

					Watertight Devices			Back Boxes			
Amps	Poles and Wires	Configuration Recep./ Conn.	Plug/ Inlet	Voltage	 Receptacle	 Plug	 Connector	 Cord Dia. inches	 Nonmetallic	 Metallic	 Adapter Plate
16	2P3W			200-250	C316R6W	C316P6W	C316C6W	.365-.625	BB2030N*	SP20301	CAP2030
	4P5W			200/346 240/415	C516R6W	C516P6W	C516C6W	.365-.625	BB2030N*	SP20301	CAP2030
20	2P3W			125	C320R4W	C320P4W	C320C4W	.365-.625	BB2030N*	SP20301	CAP2030
	2P3W			250	C320R6W	C320P6W	C320C6W	.365-.625	BB2030N*	SP20301	CAP2030
	3P4W			125/250	C420R12W	C420P12W	C420C12W	.365-.625	BB2030N*	SP20301	CAP2030
	3P4W			3Ø250	C420R9W	C420P9W	C420C9W	.365-.625	BB2030N*	SP20301	CAP2030
	3P4W			3Ø480	C420R7W	C420P7W	C420C7W	.365-.625	BB2030N*	SP20301	CAP2030
	3P4W			3Ø600	C420R5W	C420P5W	C420C5W	.365-.625	BB2030N*	SP20301	CAP2030
30	2P3W			250	C330R6W	C330P6W	C330C6W	.565-.95	BB2030N*	SP20301	CAP2030
	2P3W			480	C330R7W	C330P7W	C330C7W	.565-.95	BB2030N*	SP20301	CAP2030
	3P4W			3Ø250	C430R9W	C430P9W	C430C9W	.565-.95	BB2030N*	SP20301	CAP2030
	3P4W			3Ø480	C430R7W	C430P7W	C430C7W	.565-.95	BB2030N*	SP20301	CAP2030
	3P4W			3Ø600	C430R5W	C430P5W	C430C5W	.565-.95	BB2030N*	SP20301	CAP2030
	4P5W			3ØY120/208	C530R9W	C530P9W	C530C9W	.565-.95	BB2030N*	SP20301	CAP2030
	4P5W			3ØY277/480	C530R7W	C530P7W	C530C7W	.565-.95	BB2030N*	SP20301	CAP2030
32	2P3W			200-250	C332R6W	C332P6W	C332C6W	.565-.95	BB2030N*	SP20301	CAP2030
	3P4W			380V 50Hz 440V 60Hz	C432R3W	C432P3W	C432C3W	.565-.95	BB2030N*	SP20301	CAP2030
	4P5W			200/346 240/415	C532R6W	C532P6W	C532C6W	.565-.95	BB2030N*	SP20301	CAP2030
60	3P4W			3Ø250	C460R9W	C460P9W	C460C9W	.78-1.40	BB60N*	SP602	CAP60
	3P4W			3Ø480	C460R7W	C460P7W	C460C7W	.78-1.40	BB60N*	SP602	CAP60
	3P4W			3Ø600	C460R5W	C460P5W	C460C5W	.78-1.40	BB60N*	SP602	CAP60
	4P5W			3ØY120/208	C560R9W	C560P9W	C560C9W	.78-1.40	BB60N*	SP602	CAP60
63	4P5W			200/346 240/415	C563R6W	C563P6W	C563C6W	.78-1.40	BB60N*	SP602	CAP60
100	3P4W			125/250	C4100R12W	C4100P12W	C4100C12W	.92-1.72	BB100N*	BB1001W*	CAP100
	3P4W			3Ø250	C4100R9W	C4100P9W	C4100C9W	.92-1.72	BB100N*	BB1001W*	CAP100
	3P4W			3Ø480	C4100R7W	C4100P7W	C4100C7W	.92-1.72	BB100N*	BB1001W*	CAP100
	3P4W			3Ø600	C4100R5W	C4100P5W	C4100C5W	.92-1.72	BB100N*	BB1001W*	CAP100
	4P5W			3ØY120/208	C5100R9W	C5100P9W	C5100C9W	.92-1.72	BB100N*	BB1001W*	CAP100
125	4P5W			200/346 240/415	C5125R6W	C5125P6W	C5125C6W	.92-1.72	BB100N*	BB1001W*	CAP100

* Adapter plate required

Accessories

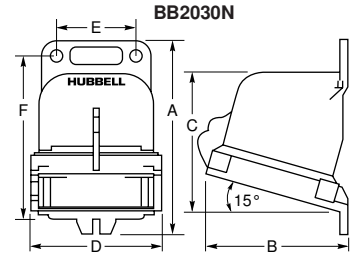
Nonmetallic Back Box

This Hubbell back box is made of a high grade engineered thermoplastic that meets IP67 requirements. It resists chemicals, abuse and UV rays. What's more, this box has an integral grounding plate and, when installed with a watertight conduit hub, it meets Type 4X requirements (hose-directed water, corrosion resistance).



Description	Hub Size Inch (mm)	A Inch (mm)	B Inch (mm)	C Inch (mm)	D Inch (mm)	E Inch (mm)	F Inch (mm)	Cubic Inch Capacity	Catalog Number
Back box for 20 & 30A devices.	1*	5.67	4.44 (144.0)	4.05 (112.8)	3.91 (102.9)	2.35 (99.3)	4.92 (59.7)	30 (125.0)	BB2030N
Back box for 60A devices.	1 1/4**	7.76	5.16 (197.0)	5.87 (131.0)	4.72 (149.0)	2.99 (120.0)	6.94 (76.0)	70 (176.0)	BB60N
Back box for 100A devices.	1 1/2***	8.21	6.23 (209.0)	6.31 (158.0)	5.71 (160.3)	3.99 (145.0)	7.41 (101.0)	120 (188.0)	BB100N

* Hub is not included; order one of the following Racco part numbers: * 1" = 1704, ** 1 1/4 = 1705, *** 1 1/2 = 1706

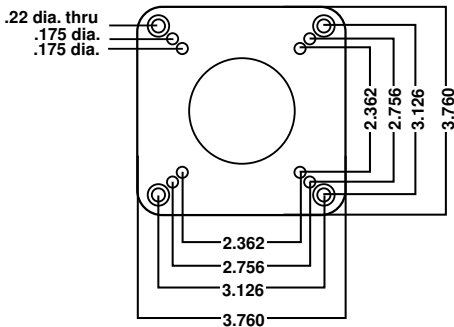


Adapter Plate

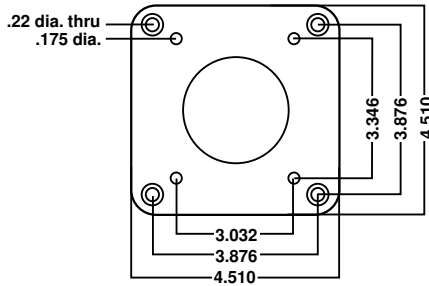
Adapter plate allows receptacles and inlets to be mounted to nonmetallic back boxes

Description	Catalog Number
20, 30, 16, 32 Amp Adapter Plate	CAP2030
60, 63 Amp Adapter Plate	CAP60
100, 125 Amp Adapter Plate	CAP100

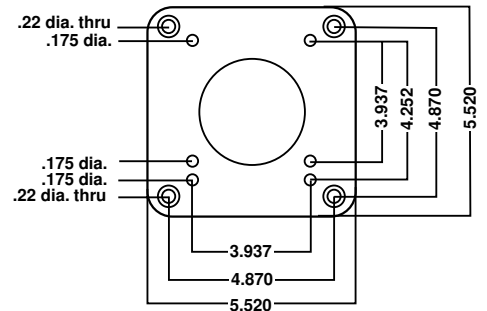
Adapter Plate thickness .375



CAP2030



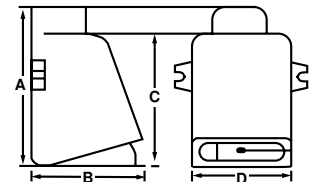
CAP60



CAP100

Metallic Back Boxes, Back Box Dimensions

Description	Hub Size	A Inch (mm)	B Inch (mm)	C Inch (mm)	D Inch (mm)	Catalog Number
15° angle for 20A & 30A	3/4"	5.07 130	3.38 87	4.13 106	3.62 93	SP20301
15° angle for 60A	1 1/4"	5.81 149	4.28 110	4.56 117	4.58 117	SP602
15° angle for 100A	1 1/2"	8.38 215	6.75 173	6.88 176	5.50 141	BB1001W*



Note: All metal boxes are made of cast aluminum, *Adapter plate required

Closure Caps

Cap assemblies provide watertight sealing to a disconnected male Pin and Sleeve plug or inlet. Manufactured out of the same tough nonmetallic material as the watertight Pin and Sleeve Size devices for corrosion and abuse resistance.

Description	Catalog Number
Fits all 20A 3 wire plugs and inlets	PC320
Fits all 20A 4 wire plugs and inlets	PC420
Fits all 20A 5 wire plugs and inlets	PC520
Fits all 30A 3 and 4 wire plugs and inlets	PC3430
Fits all 30A 5 wire plugs and inlets	PC530
Fits all 60A plugs and inlets	PC60
Fits all 100A plugs and inlets	PC100

