

Straight Blade Devices

2 Pole, 3 Wire Grounding

15 and 20 Ampere, 250 Volts

Connector Bodies and Flanged Receptacles



IP20
SUITABILITY



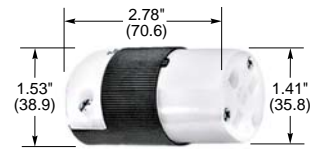
NEMA 6-15R
15A 250V
UL CSA



NEMA 6-20R
20A 250V
UL Listed

Connector Bodies

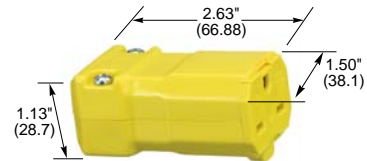
Description	Cord Dia.	Catalog Numbers	
Insulgrip® connector body, black and white nylon, multiple drive screws.	.230"-.720" (5.8-18.3)	HBL5669C	HBL5469C
ERGO™ Grip connector body, overmolded yellow nylon.	.220"-.600" (5.6-15.25)	HBL5567EY	HBL5579EY
Valise® connector body, yellow nylon.	.220"-.660" (5.6-16.8)	HBL5669VY	HBL5469VY



HBL5669C



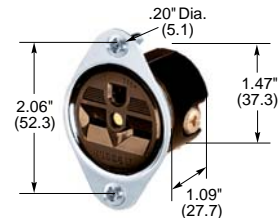
HBL5567EY



HBL5669VY



HBL5679C



HBL5656

ERGO™ Grip Hospital Grade Connector Bodies

Description	Cord Dia.	Catalog Numbers	
Overmolded white nylon.	.300"-.600" (7.6-15.25)	HBL8567E	HBL8579E

Valise® Hospital Grade Connector Body

Description	Cord Dia.	Catalog Number	
White nylon.	.300"-.660" (7.6-16.8)	-	HBL8469V



NEMA 6-15R
15A 250V
UL CSA



NEMA 6-20R
20A 250V
UL Listed

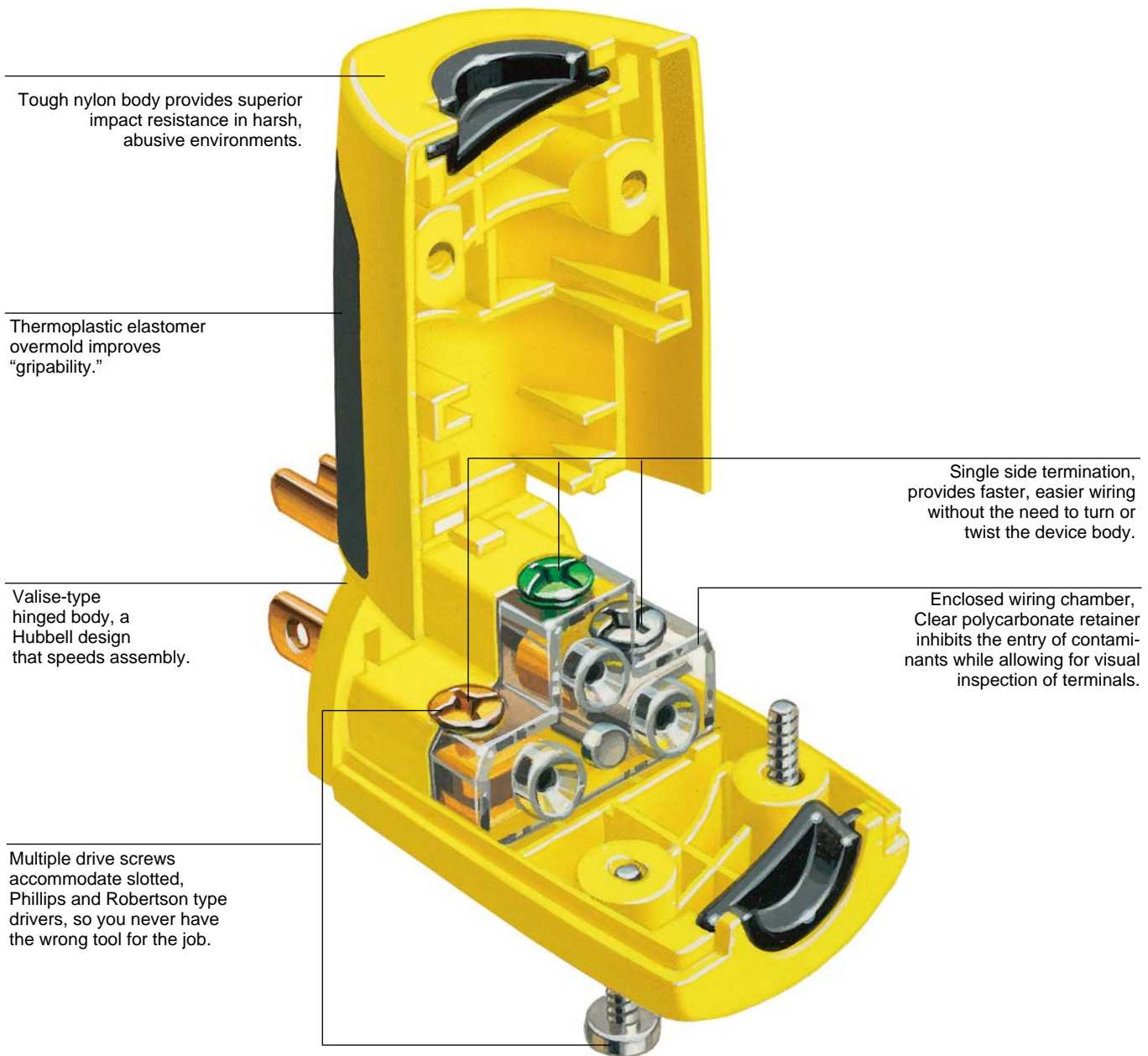
Flanged Receptacles

Description	Catalog Numbers	
Nylon casing, multiple drive screws.	HBL5679C	HBL5479C
Stainless steel flange, brown phenolic housing (mounting screws packaged separately).	HBL5656	-

Straight Blade Devices

ERGO™ Grip Plugs and Connectors

Features and Benefits



Tough nylon body provides superior impact resistance in harsh, abusive environments.

Thermoplastic elastomer overmold improves "gripability."

Valise-type hinged body, a Hubbell design that speeds assembly.

Multiple drive screws accommodate slotted, Phillips and Robertson type drivers, so you never have the wrong tool for the job.

Single side termination, provides faster, easier wiring without the need to turn or twist the device body.

Enclosed wiring chamber, Clear polycarbonate retainer inhibits the entry of contaminants while allowing for visual inspection of terminals.

Innovation In Design

The Hubbell ERGO™ Grip plugs and connectors continue our long standing tradition of leadership in innovative design for the electrical industry. The tough nylon body integrates a "first of its kind" overmolded design to provide an ergonomically efficient body, increasing surface gripability for easier insertion and withdrawal of mating parts.

Plug and connector terminals are enclosed by a clear polycarbonate retainer to help inhibit the entry of contaminants while still allowing for visual inspection of terminations. Additionally, by placing all three multiple drive terminal screws on the same side of the wiring chamber, there is no need to rotate the plug or connector body to wire these products, clearly reducing installation and assembly time.