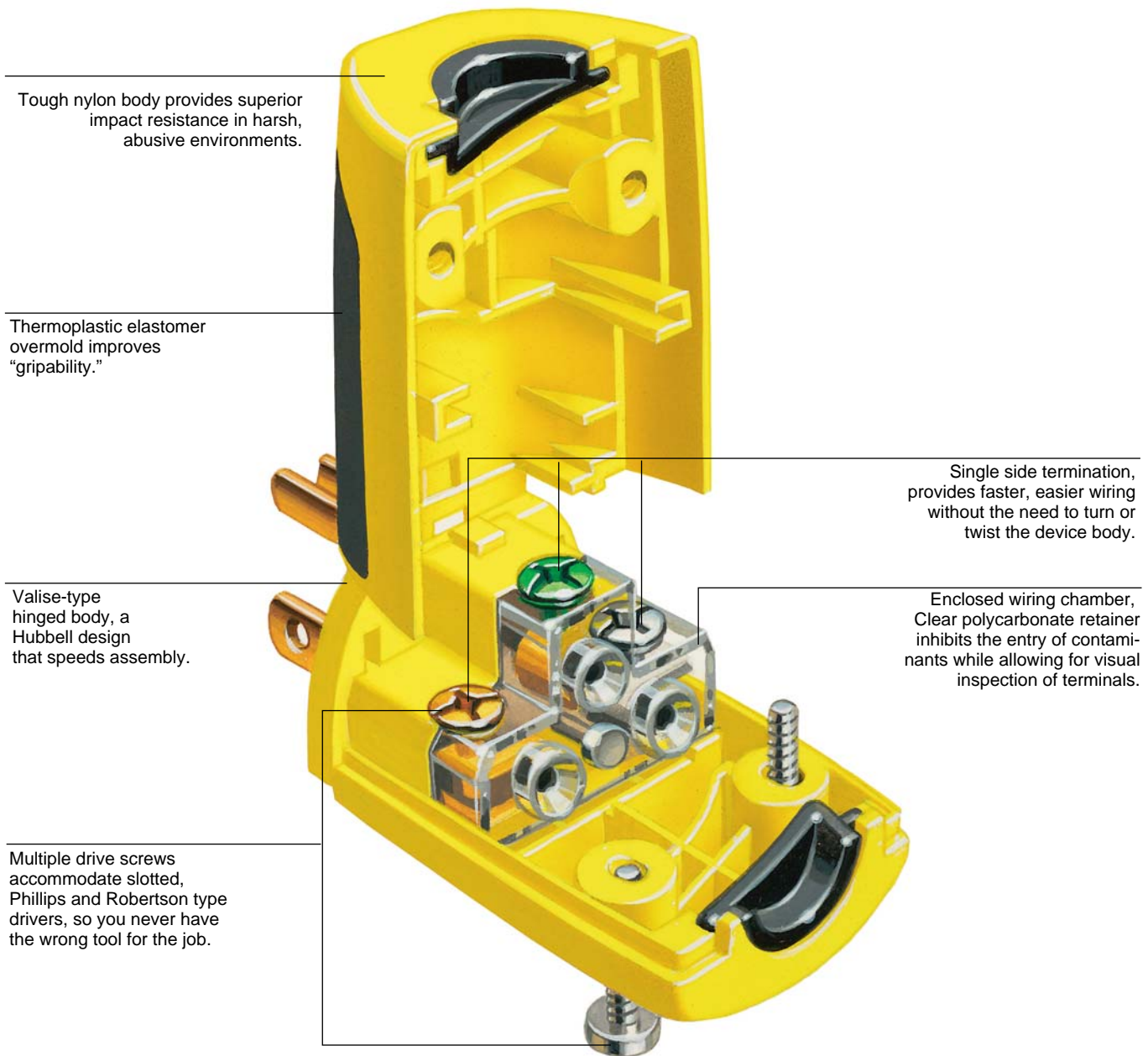


## Straight Blade Devices

### ERGO™ Grip Plugs and Connectors

Features and Benefits



### Innovation In Design

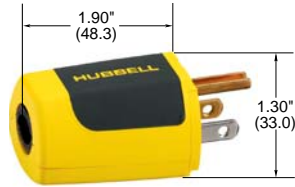
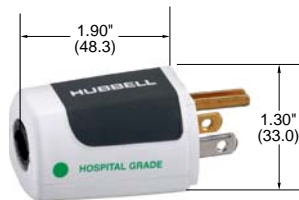
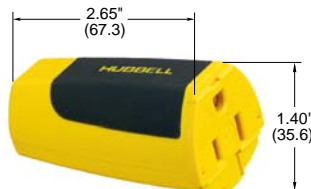
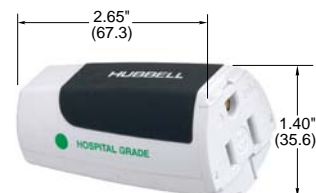
The Hubbell ERGO™ Grip plugs and connectors continue our long standing tradition of leadership in innovative design for the electrical industry. The tough nylon body integrates a "first of its kind" overmolded design to provide an ergonomically efficient body, increasing surface gripability for easier insertion and withdrawal of mating parts.

Plug and connector terminals are enclosed by a clear polycarbonate retainer to help inhibit the entry of contaminants while still allowing for visual inspection of terminations. Additionally, by placing all three multiple drive terminal screws on the same side of the wiring chamber, there is no need to rotate the plug or connector body to wire these products, clearly reducing installation and assembly time.

## Straight Blade Devices

**2 Pole, 3 Wire Grounding**

15 and 20 Ampere, 125 Volts

**ERGO™ Grip Plugs and Connector Bodies****HBL5565EY****HBL5565EBK****HBL8565E****HBL5569EY****HBL8569E****IP20**  
SUITABILITYNEMA 5-15P  
15A 125V  
UL CSA  
0.5 HPNEMA 5-20P  
20A 125V  
UL CSA  
1 HP**ERGO™ Grip Plugs**

Description	Cord Dia.	Catalog Numbers	
Overmolded yellow nylon.	.220"-.600" (5.6-15.25)	<b>HBL5565EY</b>	<b>HBL5585EY</b>
Overmolded black nylon.	.220"-.600" (5.6-15.25)	<b>HBL5565EBK</b>	<b>HBL5585EBK</b>

**ERGO™ Grip Hospital Grade Plugs**

Description	Cord Dia.	Catalog Numbers	
Overmolded white nylon.	.300"-.600" (7.6-15.25)	<b>HBL8565E</b>	<b>HBL8586E</b>

*Note: Horsepower ratings listed are AC only.***IP20**  
SUITABILITYNEMA 5-15R  
15A 125V  
UL CSANEMA 5-20R  
20A 125V  
UL CSA**ERGO™ Grip Connector Bodies**

Description	Cord Dia.	Catalog Numbers	
Overmolded yellow nylon.	.220"-.600" (5.6-15.25)	<b>HBL5569EY</b>	<b>HBL5589EY</b>
Overmolded black nylon.	.220"-.600" (5.6-15.25)	<b>HBL5569EBK</b>	<b>HBL5589EBK</b>

**ERGO™ Grip Hospital Grade Connector Bodies**

Description	Cord Dia.	Catalog Numbers	
Overmolded white nylon.	.300"-.600" (7.62-15.25)	<b>HBL8569E</b>	<b>HBL8589E</b>

*Notes: Connector bodies are not HP rated.***Accessories**

PLUGOUT® lockout device for Hubbell plugs and others.

**HLD**