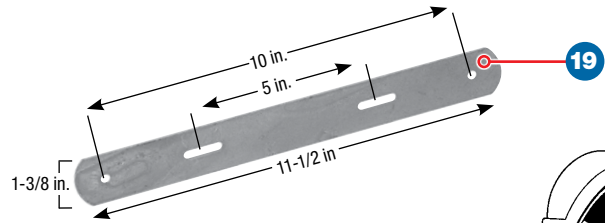
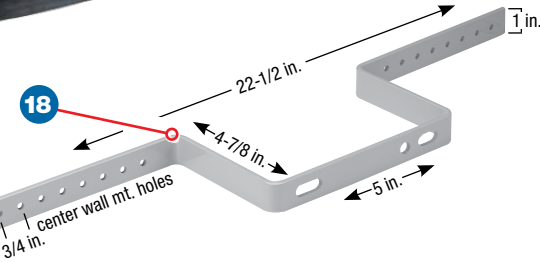
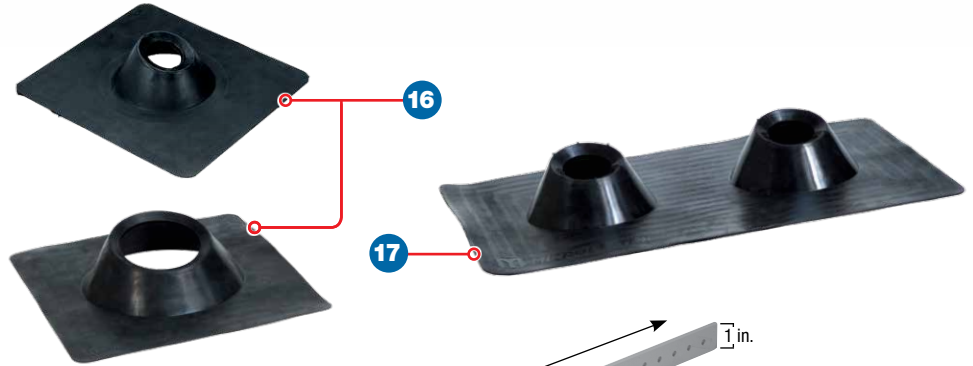
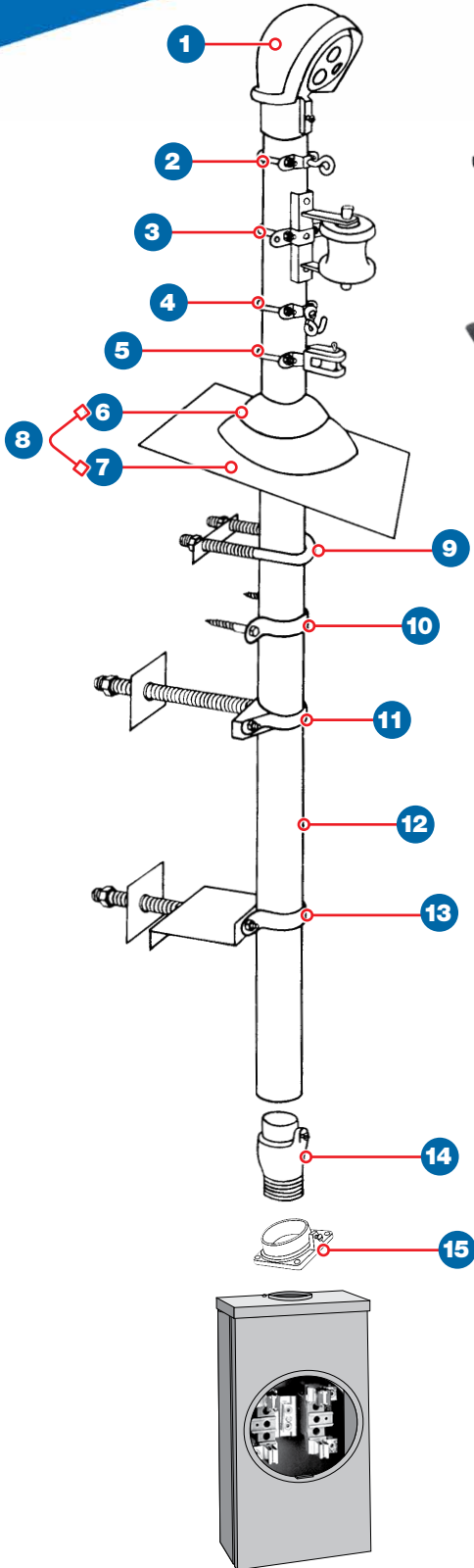
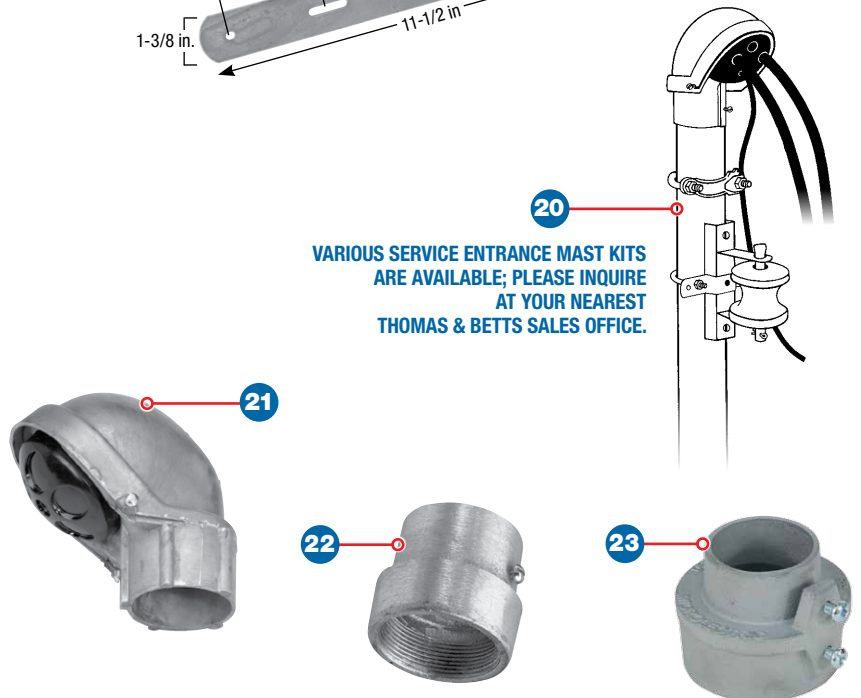


## Service Masts

### Service Entrance Masts and Accessories



VARIOUS SERVICE ENTRANCE MAST KITS ARE AVAILABLE; PLEASE INQUIRE AT YOUR NEAREST THOMAS & BETTS SALES OFFICE.



Fittings for old style 2-3/4 in. outside diameter service masts.

## Service Masts

### Service Entrance Masts and Accessories

| Reference No. | Cat. No.        | lb./kg 100 pcs | Std. Pkg. | Description  |
|---------------|-----------------|----------------|-----------|--|
| <b>1</b>      | MM104           | 105/47.1       | 20        | 1-1/4 in. Entrance cap 100 A   |
|               | MM105           | 130/59         | 10        | 1-1/2 in. Entrance cap 150–200 A   |
|               | MM202           | 200/90         |           | 2 in. Entrance cap 200 A   |
| <b>2</b>      | MM380<br>MM380A | 50/22.7        | 50        | Guy attachment c/w oval eye  |
| <b>3</b>      | MM101           | 125/56         | 20        | Light duty spool rack 100 A  |
|               | MM5101          | 164/74         |           | Light duty spool rack (Alberta only) 100 A   |
|               | MM201           | 300/136        | 10        | Heavy duty spool rack 200 A  |
|               | MM801           | 360/163        | 10        | Heavy duty spool rack 400 A, fits 3 in. and 4 in. Rigid conduit  |
| <b>4</b>      | MM390           | 50/22.7        | 50        | Drop wire hook bracket   |
| <b>5</b>      | MM300           | 100/45.4       | 20        | Service mast wire holder   |
| <b>6</b>      | MM500           | 14/6.3         | 50        | Neoprene collar only   |
|               | MM501           | 36/16.3        |           | Steel collar only  |
| <b>7</b>      | MM502           | 150/68         | 10        | Roof base flange only  |
| <b>8</b>      | MM503           | 180/81         |           | Roof flange C/W steel collar   |
|               | MM505N          | 140/63         |           | Roof flange C/W neoprene collar  |
|               | MM5505N         | 140/63         |           | Roof flange C/W neoprene collar 1-1/4 in.  |
| <b>9</b>      | MM250           | 125/56         | 20        | 1/2 in. dia. «U» bolt mast clamp   |
| <b>10</b>     | MM251           | 40/18.1        | 50        | Pipe strap C/W two 3/8 in. x 4 in. lag screws  |
|               | MM255           | 40/18.1        |           | Pipe strap C/W two 3/8 in. x 5 in. lag screws  |
|               | MM252           | 30/13.6        |           | Pipe strap only less lag screws  |
| <b>11</b>     | MM400           | 225/102        | 20        | Support clamp C/W 5/8 in. x 10 in. fully threaded bolt and 4 in. x 4 in. square washer                   |
|               | MM401           | 110/50         |           | Clamp only less bolt and washer  |
|               | MM445           | 215/97         |           | Support clamp C/W 5/8 in. x 4-1/2 in. fully threaded bolt and 4 in. x 4 in. square washer                |
|               | MM5400          |                |           | Support clamp C/W 1/2 in. x 10 in. bolt  |
| <b>12</b>     | MM8             | 2800/1272      | 50        | 8 ft. x 2-1/2 in. outside diameter mast  |
|               | MM9CM           | 3300/1500      |           | 9 ft. x 2-1/2 in. outside diameter mast  |
|               | MM10            | 3500/1590      |           | 10 ft. x 2-1/2 in. outside diameter mast   |
|               | MM12            | 4200/1909      |           | 12 ft. x 2-1/2 in. outside diameter mast   |
| <b>13</b>     | MM600           | 235/106        | 20        | Meter spacer complete with pipe strap; 5/8 in. x 4-1/2 in. carriage bolt and 4 in. x 4 in. square washer |
|               | MM601           | 190/86         |           | Same as above except no pipe strap   |
|               | MM602           | 150/68         |           | Spacer only (less strap, bolt and washer) (suggested for brick applications with MM201 less pipe strap)  |
|               | MM602LD         | 119/54         |           | Light duty spacer only (less strap, bolt and washer)   |
|               | MM603           | 200/90         |           | Spacer with pipe strap (less bolt and washer)  |
| <b>14</b>     | MM100           | 44/20          | 25        | 1 in. Female reducer   |
|               | MM140           |                |           | 1-1/4 in. Female reducer   |
|               | MM140M          |                |           | 1-1/4 in. Male reducer   |
|               | MM150           |                |           | 1-1/2 in. Female reducer   |
|               | MM150M          |                |           | 1-1/2 in. Male reducer   |
|               | MM200           |                |           | 2 in. Female reducer   |
|               | MM200M          |                |           | 2 in. Male reducer   |
| <b>15</b>     | MH200           | 40/18          | 1         | 2 in. Mast adaptor   |
|               | MH40            | 103/46.82      | 10        | 4 in. Mast coupler   |
| <b>16</b>     | MM506N          | 52/23.6        | 10        | Simple all neoprene roof flange, 200 A, for 2-1/2 in. masts  |
|               | MM806N          | 100/45         |           | Simple all neoprene roof flange, 400 A, for 4 in. masts  |
| <b>17</b>     | MM507DN         | 93/42.3        |           | Double all neoprene roof flange; for 2-1/2 in. masts   |
| <b>18</b>     | MM604           | 150/68         |           | Meter socket bracket (Dimensions see page D44)   |
| <b>19</b>     | MM605           | 50/22.7        | 25        | Meter socket mounting bracket (Dimensions see page D44)  |
| <b>20</b>     | MM700           | 85/38.6        | 50        | Service mast ground clamp, wire range: 8-1/0 AWG   |
| <b>21</b>     | MM202P          | 200/90         | 10        | 2 in. entrance cap for old style 2-3/4 in. service masts   |
|               | CIEFA-4         | 590/268        | 1         | 4 in. entrance head  |
| <b>22</b>     | MM200P          | 44/20          | 20        | 2 in. female reducer for old style 2-3/4 in. service masts   |
| <b>23</b>     | MC250           | 45/21          | 30        | 2-1/2 in. one-piece coupler (check the installation standards in your region before using the product)   |