

# Product offering Surge-Trap® - DC

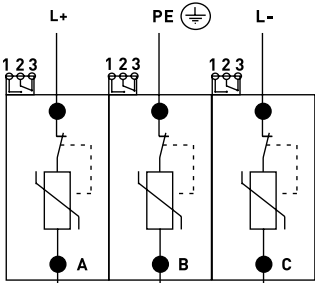


Catalog Number	Ref. number	Rated Voltage (V)	Number of poles	System Type	Replacement Plug Catalog Number
STP600YPVM	B1015750A	600	3	Y	SP350PV
STP1000YPVM	C1015751A	1000	3	Y	SP670PV
STP1200YPVM	D1015752A	1200	3	Y	SP745PV

Catalog Number	Rated Voltage (V)	Ucpv	Voltage Protection Level (Up @20kA) (kV)	Electrical Strength (kV)	Freq (Hz)	Nominal Discharge Current (Inom, 8/20, kA)	Maximum Discharge Current (Imax, 8/20, kA)	ISCW (kA)
STP600YPVM	600	720VDC	<2.4	2.2	DC/PV	20	40	10
STP1000YPVM	1000	1200VDC	<4.0	2.2	DC/PV	20	40	10
STP1200YPVM	1200	1440VDC	<4.0	2.2	DC/PV	10	40	10

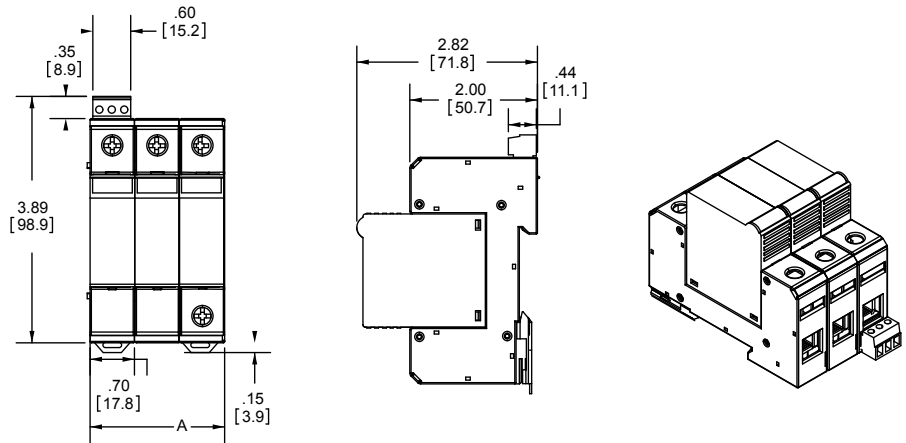
## Wiring diagram

STP600YPVM  
STP1000YPVM  
STP1200YPVM



## Dimensions

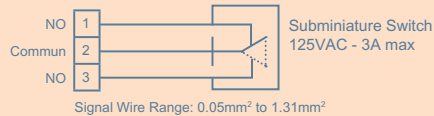
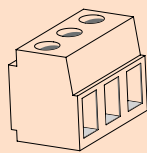
STP600YPVM  
STP1000YPVM  
STP1200YPVM



## Approvals

- IEC 61643-1
- EN 50539-11
- UTE C 61740-51
- RoHS compliant
- CE

## Surge-Trap® Microswitch Diagram



- Terminal Torque 0.25N.m max
- Cont. between Comm + NO = Product Offline, Not Protected
- Cont. between Comm + NC = Product Offline, Protected