



## Semiconductor Fuses

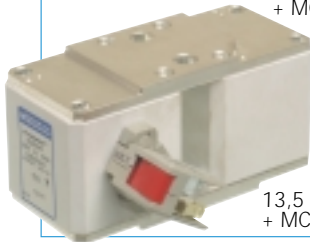
### Large rectifier PSC fuse selection



25 URD 123 TTF 630



9,5 URD 94 PPASF 3800  
+ MCR3E 1-5N



13,5 URD 283 PLAF 1600  
+ MCR3E 1-5NBS

Ferraz Shawmut PSC-LR fuse-links provide maximum flexibility in equipment design and ultimate protection for today's power conversion equipment. These square body fuse-links are available in various body sizes with a broad range of ampere ratings allowing the greatest flexibility in equipment design.

The Ferraz Shawmut PSC-LR fuse range has been engineered to provide state of the art protection for high power semiconductors such as diodes, thyristors, GTOs, IGBTs and IGBTs.

They have pure silver fuse elements embedded in solidified sand which provides optimized I<sup>2</sup>t and high interrupting rating. All contact surfaces are plated and all hardware non-magnetic.

All fuses are standard with a low voltage blown fuse indicator. This indicator can operate a microswitch which is easily mounted directly onto the fuse in service.



13,5 URD 294 TDSFF 3400  
+ MCR3E 1-5NBS



13 URD 84 TQFPLA 0900

#### HIGHLIGHTS

- Highly current limiting.
- Isolating fuse
- High breaking capacities
- High capability of selection in case of external fault
- Worldwide acceptance.
- Superior cycling ability.
- High withstanding in rush current and overloads
- Optimized coordination ratio

#### APPLICATIONS

Protection of large rectifiers, inverters, static transfer switch, AC & DC drives and UPS systems.

#### Ratings

**AC:** up to 10 000A  
500 V - 3 800V  
100 - 240 kA IR  
**DC:** Consult Factory

#### Approvals

**AC:** Tested to IEC 269.4

#### Features/Benefits

**Customized terminals** available under request

**Wide range of mounting styles**

**Broad range of ampere ratings** in each body size for design flexibility

**IEC 269-4 compliance** for fuses for worldwide semiconductor applications



# Semiconductor Fuses

650 - 1250 V  
4800 - 800 A

## PSC - LR range - 73

Size	Ratings	Voltage	Pre-Arcing	Total I <sup>2</sup> t @ Un	I @ 10ms	Power losses (W)		Breaking
	(A) In	(V) Un	I <sup>2</sup> t @ 1ms I <sup>2</sup> tp (kA <sup>2</sup> s)	(kA <sup>2</sup> s)	(A)	0,8In	In	capacities (kA)
	800	1250	170	1155	7500	80	160	110
	900	1250	235	1620	8800	85	170	110
	1000	1200	385	2500	12000	85	170	120
	1050	1200	440	2850	12500	85	170	120
	1100	1150	530	3330	13500	85	170	220
73	1250	1100	630	3650	15000	100	200	240
end contacts	1400	1000	860	4300	17000	110	220	220
	1500	950	1150	5500	20000	115	230	220
	1550	950	1270	6025	21000	120	240	220
	1750	850	1700	7150	24000	125	250	230
	1900	850	2100	9000	27000	140	280	230
	2200	750	2750	10200	31000	148	295	212
	2400	700	3950	13600	37000	153	305	212
	1600	1150	680	4200	8400	165	330	115
	1800	1150	940	5800	11600	170	340	115
	2000	1100	1540	8800	17600	170	340	220
	2100	1100	1760	10100	20200	170	340	220
2x73	2200	1050	2120	11500	23000	170	340	220
press pack	2500	1000	2520	12500	25000	200	400	220
or end contacts	2800	900	3440	15500	31000	220	440	220
	3000	850	4600	19500	39000	230	460	220
	3100	850	5080	21600	43200	240	480	220
	3500	850	6800	28600	57200	250	500	220
	3800	850	8400	36000	72000	280	560	220
	4400	700	11000	37700	75400	295	590	230
	4800	650	15800	50000	100000	305	610	230

PSC - LR range

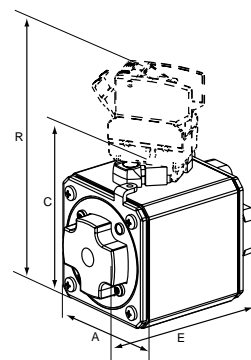


## Semiconductor Fuses

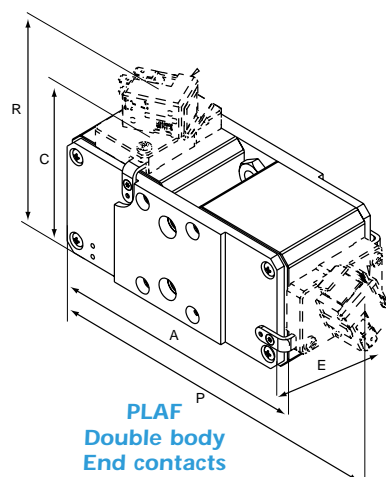
### PSC - LR range - Size 73

Size	Catalog Number	Weight (g)	Packaging
	12,5 URD 73 TTF 0800		
	12,5 URD 73 TTF 0900		
	12 URD 73 TTF 1000		
	12 URD 73 TTF 1050		
	11,5 URD 73 TTF 1100		
73	11 URD 73 TTF 1250		
end contacts	10 URD 73 TTF 1400	430	3
	9,5 URD 73 TTF 1500		
	9,5 URD 73 TTF 1550		
	8,5 URD 73 TTF 1750		
	8,5 URD 73 TTF 1900		
	7,5 URD 73 TTF 2200		
	7 URD 73 TTF 2400		
	11,5 URD 273 PLAF 1600		
	11,5 URD 273 PLAF 1800		
	11 URD 273 PLAF 2000		
	11 URD 273 PLAF 2100		
	10,5 URD 273 PLAF 2200		
2x73*	10 URD 273 PLAF 2500	950	1
double body	9 URD 273 PLAF 2800		
end contacts	8,5 URD 273 PLAF 3000		
	8,5 URD 273 PLAF 3100		
	8,5 URD 273 PLAF 3500		
	8,5 URD 273 PLAF 3800		
	7 URD 273 PLAF 4400		
	6,5 URD 273 PLAF 4800		


\* Press pack available on request



**TTF**  
End contacts



**PLAF**  
Double body  
End contacts

Microswitches : MS7V 1-5 - Ref. J310002  
 MS7V 1-5  - Ref. Z310039  
 MS7V 1-5 BS - Ref. K310003  
 MS7V 1-9 BS - Ref. P310007  
 MS7V 1-5 ET - Ref. S310010

Insulation voltage 1250 VAC-DC (data p 21)

Size	A	C <sup>(1)</sup>	D	E <sup>±1,7</sup>	d	G <sup>±0,1</sup> threaded depth	P	R
73 TTF	74,5	79,5	52	74	M 12	15	-	114
	2-15/16"	3-1/8"	2-1/16"	2-29/32"		19/32"		4-1/2"
273 PLAF	170,5	78,5	-	78	M 10	15	117,1	75,75
	6.71"	3.09"		3.07"		0.59"	46.10"	2.98"

Dimension in mm and inches

See studs p. 22

See mounting torque and clamping force information p 23

(1) Trip indicator extended