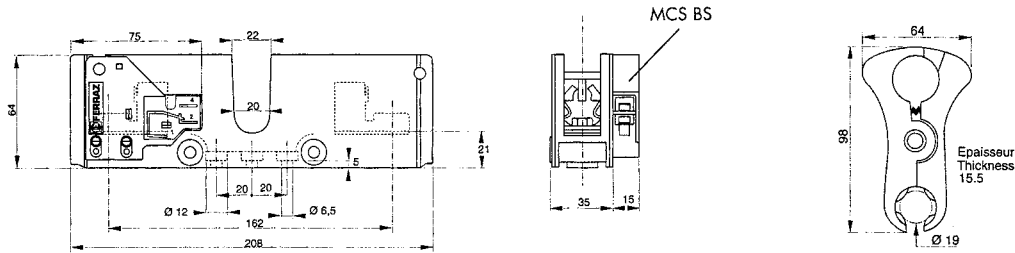


# PS 20x127

## Ferrule Fuse Holders and No-Load Disconnectors

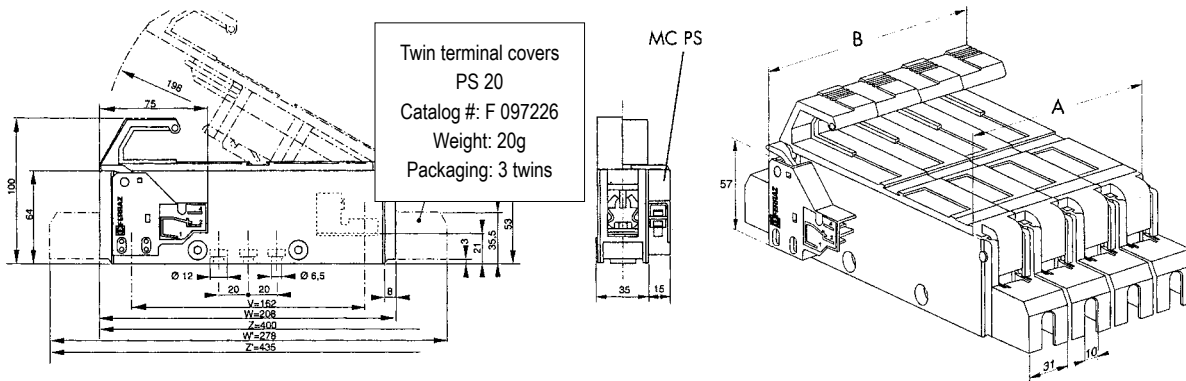
### Fuse Holders and Accessories



Description	Catalog No.	Weight (g)	Packaging
PSI 20x127	X 097310	260	3 pieces
PSI 20x127 + MCS BS	X 220130	290	2 pieces

PMCP 20+22  
 Catalog #: K 100036  
 Weight: 40g  
 Packaging: 1

### Fuse non-load Disconnectors and Accessories



V: Connecting distance between centers  
 W: Clip for rail mounting in two positions  
 W': With terminal cover length  
 Y: Space factor with a 90° fuse carrier position

Z: Without terminal cover, space factor with a 180° fuse carrier position  
 Z': With terminal cover, space factor with 180° fuse carrier position

Description (basic model)	Catalog No.
PSI 20x127 PRE	F 097203
PSII 20x127 PRE	G 097227
PSIII 20x127 PRE	H 097228
PSIV 20x127 PRE	J 097229
PSI 20 x 127 PRE+MC PS	H 097205
PSII 20 x 127 PRE+MC PS	D 097293
PSIII 20 x 127 PRE+MC PS	E 097294
PSIV 20 x 127 PRE+MC PS	F 097295

No. of Poles	A	B
1	35	50
2	69	84
3	103	118
4	137	152

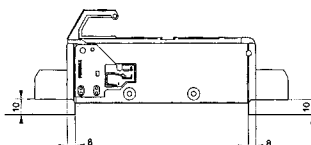
Preisolating and blown fuse indicating microswitch features	
Microswitch rated current	Non-inductive circuit interrupting rating
3A - 50 Hz	3A - 50 Hz
3A - DC	3A - DC

Reliable minimum operating voltage/current:

10V - 10mA

Connecting with 6.35 mm lug

Distances when mounting on a conductive board @  $U_i = 2500$  VAC



Description (salt spray-proof model)	Ref. No.
PSI 20x127 PRE BS	G 097204
PSII 20x127 PRE BS	L 097231
PSIII 20x127 PRE BS	T 097261
PSIV 20x127 PRE BS	C 097292
PSI 20 x 127 PRE BS+MC PS	J 097206
PSII 20 x 127 PRE BS+MC PS	G 097296
PSIII 20 x 127 PRE BS+MC PS	H 097297
PSIV 20 x 127 PRE BS+MC PS	J 097298