

1SC/1MSC

Modular Semiconductor Fuse Blocks

Mersen 1SC and 1MSC semiconductor fuse blocks feature modular mounting that offers greater flexibility in adjusting to various fuse lengths. Both stud type and integral box connector versions are offered to allow for user preference of wire terminations. The integral box connector versions also provide for greater heat dissipation. Mounting hardware is supplied with the blocks.

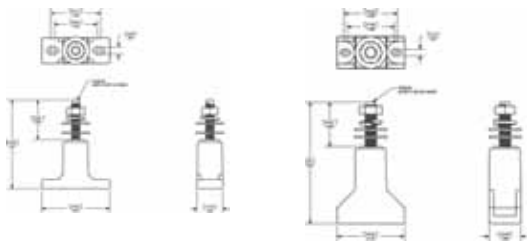


Figure 1

Figure 2

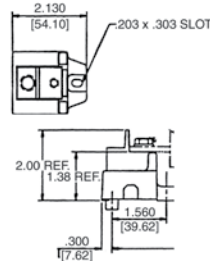


Figure 3

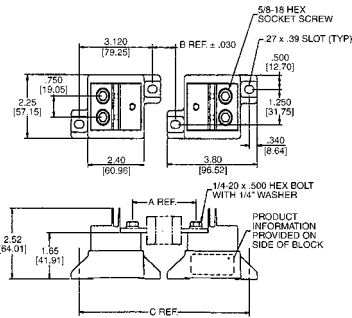


Figure 4

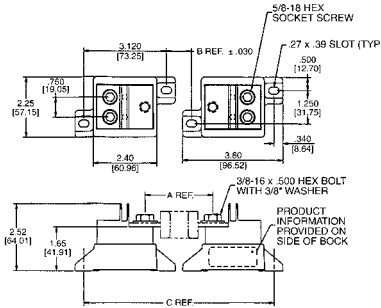


Figure 5

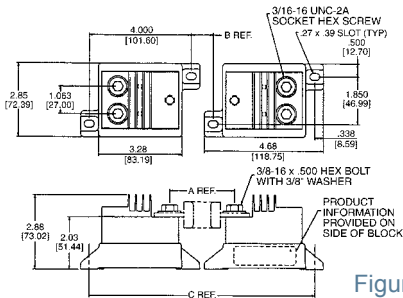
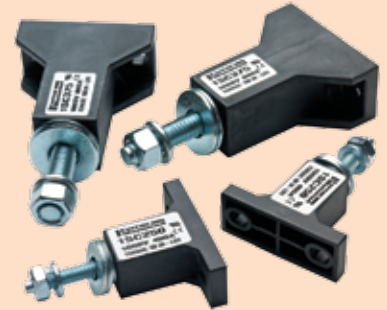


Figure 6



Ratings:

1SC

Volts : 1000V
Amps : 800A Maximum
SCCR : 200kA

1MSC

Volts : 600V
Amps : 600A Maximum
SCCR : 200kA

Approvals:

- UL Recognized Component
- File for 1SC: E52283
- File for 1MSC: E35113



Dimensions

Catalog No.	Voltage Rating	Ampere Rating	UR	Connector		Hardware		Tightning Torque (lb.-in.)		Fig.
				Type	Wire Range	Bolt	Washer	Fuse	Cable	
1SC250	1,000	400	Yes	1/4" Stud	—	—	—	61	61	1
1SC375	1,000	800	Yes	3/8" Stud	—	—	—	192	192	2
1MSC101	600	100	Yes	Al Box	Al/Cu 2/0 - #6	1/4"	0.655"	120	120	3
1MSC102	600	400	Yes	Al Box	Al/Cu (2) 250kcmil - #6	1/4"	0.655"	275	275	4
1MSC103	600	400	Yes	Al Box	Al/Cu (2) 250kcmil - #6	3/8"	0.900"	275	275	5
1MSC104	600	600	Yes	Al Box	Al/Cu (2) 500kcmil - #6	3/8"	0.900"	375	375	6
1SCM8	1,000	400	Yes	M8 Stud	—	—	—	60	60	1
1SCM10	1,000	800	Yes	M10 Stud	—	—	—	190	190	2

*Consult Factory