

# 660-750V DC Square Body/Special Purpose

## Size 2x123

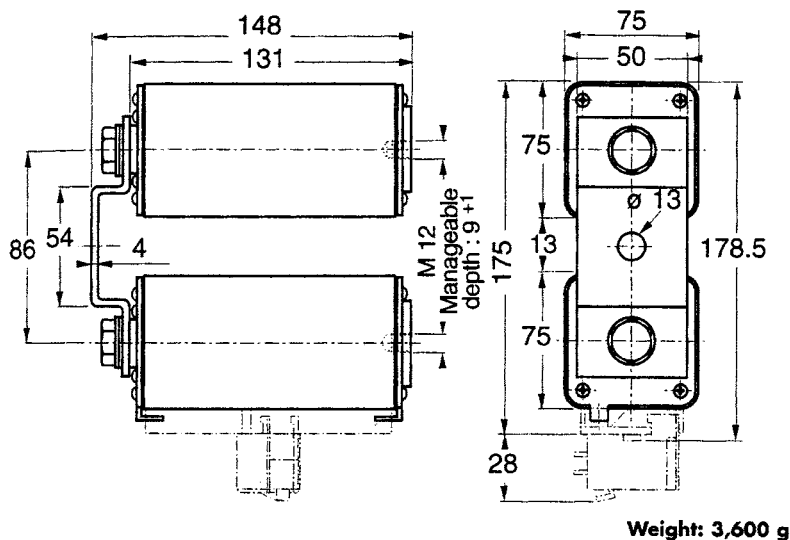
gRC - gRB, gRD, gRC - gRD from 1000 to 1600A

### Catalog Numbers, Ratings

Size	Current Rating $I_N$ (A)	Interrupting $I_N$ (A)	Maximum $I^2t$ @900V=L/R 40ms		Watts Loss		Catalog Number	Ref. No.	
			$I_{p=10 I_N}$	$I_{p=50 I_N}$	0.8 $I_N$	$I_N$			
2 x 123	1000	@750VDC 100kA L/R=100ms	20x10 <sup>6</sup>	4x10 <sup>6</sup>	102	87	CC 7,5 gRC 2123 TTF 1000	Z090481	
		@900VDC 100kA L/R = 40ms							
				maximum $I^2t$ (A <sup>2</sup> s) @800V = L/R 40ms					
	1250	@750VDC 100kA	$I_{p=10 I_N}$	$I_{p=50 I_N}$	148		CC 7,5 gRB 2123 TTF 1250	D098558	
	1400	L/R=50ms	30x10 <sup>6</sup>	6x10 <sup>6</sup>	164		CC 7,5 gRB 2123 TTF 1400	B090483	
1500		40x10 <sup>6</sup>	8x10 <sup>6</sup>	164		CC 7,5 gRB 2123 TTF 1500	K220947		
			maximum $I^2t$ (A <sup>2</sup> s) @660V = L/R 30ms						
			$I_{p=10 I_N}$	$I_{p=50 I_N}$					
1600	@660VDC 100kA L/R=50ms		48.6x10 <sup>6</sup>	10x10 <sup>6</sup>	90		CC 6.6 gRB 2123 TTF 1600	L220948	

Microswitch: MC 3E 1-5N Ref. Number: D310020

### Dimensions



### Ratings:

- Volts : 900VDC
- : 750VDC
- : 660VDC
- Amps : 1000 to 1600A
- IR : 100kA I.R.
- L/R : 40mSec (900V, 1000A)
- L/R : 50mSec (125 to 1500A)
- L/R : 100mSec (750V, 1000A)

Rated Current (A)	Max. Operating Current (A)
1250	1100
1400	1200
1500	1200
1600	1300