

# 750V DC Square Body/Special Purpose

## Size 2x122

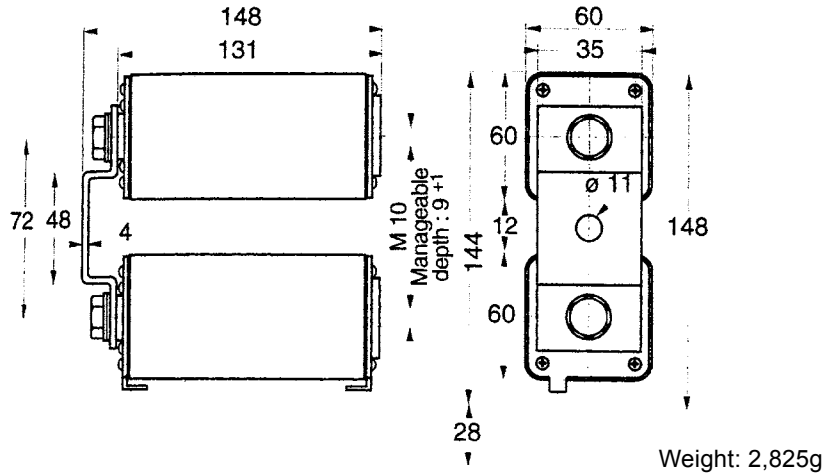
gRC - gRD from 500 to 900 A

### Catalog Numbers, Ratings

Size	Current Rating $I_N$ (A)	Interrupting $I_N$ (A)	Maximum $I^2t$ @900V=L/R 40ms		Watts Loss		Catalog Number	Ref. No.
			$I_{p=10I_N}$	$I_{p=50I_N}$	$0.8 I_N$	$I_N$		
2 x 122	500	@ 900V DC 100kA L/R = 40ms	$5 \times 10^6$	$1 \times 10^6$	51	94	CC 7,5 gRC 2122 TTF 0500	Q090473
	630		$8 \times 10^6$	$1.6 \times 10^6$	63	116	CC 7,5 gRC 2122 TTF 0630	R090474
	800		$12.4 \times 10^6$	$2.4 \times 10^6$	81	149	CC 7,5 gRC 2122 TTF 0800	S090475
	900		$16 \times 10^6$	$3.2 \times 10^6$	98	180	CC 7,5 gRD 2122 TTF 0900	T220955
			maximum $I^2t$ (A <sup>2</sup> s) @800V = L/R 40ms					
			$I_{p=10 I_N}$	$I_{p=50 I_N}$				
	1000	@750VDC 100kA L/R=50ms	$25 \times 10^6$	$4.8 \times 10^6$	104		CC 7,5 gRD 2122 TTF 1000	V220956

Microswitch: MC 3E 1-5N Ref. Number: D310020

### Dimensions



### Ratings:

- Volts : 900VDC
- : 750VDC
- Amps : 500 to 1000A
- IR : 100kA I.R.
- L/R : 40mSec (900V)
- L/R : 100mSec (750V)