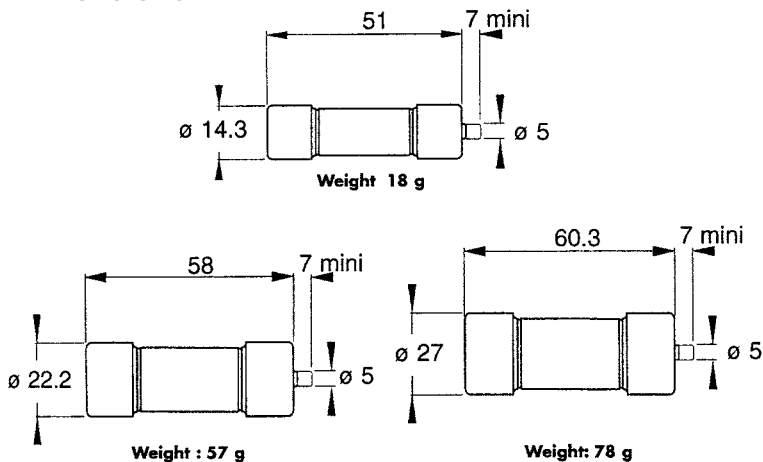


440V DC Ferrule Fuses

Sizes: 14x51, 22x58, 27x60

gLB from 2 to 160 A

Dimensions



Trip force: 4.5N (1lb) at 0 mm-2.5N (1/2lb) at 7 mm (1/4")

Catalog Numbers, Ratings

Size	Current Rating I_N (A)	Interrupting I_N (A)	Watts Loss		Catalog Number	Ref. No.
			0.8 IN	IN		
14x51	2	@ 440VDC 100 kA L/R = 30 ms	0.29	0.5	CC 4.421 CP gLB 14x51/2	E075720
	6		0.74	1.3	CC 4.421 CP gLB 14x51/6	Q094084
	8		1.1	1.8	CC 4.421 CP gLB 14x51/8	F075721
	10		1.1	1.9	CC 4.421 CP gLB 14x51/10	G075722
	12		1.2	2.0	CC 4.421 CP gLB 14x51/12	R094085
	16		1.2	2.1	CC 4.421 CP gLB 14x51/16	H075723
	20		1.4	2.5	CC 4.421 CP gLB 14x51/20	L221132
	25		1.6	2.8	CC 4.421 CP gLB 14x51/25	J075724
	32		2.4	4.2	CC 4.421 CP gLB 14x51/32	S098410
	40		2.9	5.0	CC 4.421 CP gLB 14x51/40	T098687
22x58	50	@ 440VDC 100 kA L/R = 30 ms	3.3	5.7	CC 4.421 CP gLB 14x51/50	H076620
	50		3.9	6.7	CC 4.421 CP gLB 22x58/50	L076968
	63		4.9	8.5	CC 4.421 CP gLB 22x58/63	M221133
	80		6.2	10.8	CC 4.421 CP gLB 22x58/80	J098563
27x60	100	@440VDC 100 kA L/R = 30 ms	7.5	13.2	CC 4.421 CP gLB 22x58/100	K099507
	125		12.6	22	CC 4.421 CP gLB 27x60/125	H098562
	160		13.8	24.2	CC 4.421 CP gLB 27x60/160	M075704

Blown fuse indicator minimum trip voltage: 20 V



Ratings:

Volts : 440VDC
 Amps : 2 to 160A
 IR : 100kA I.R.
 L/R : 30mSec