

# Transformer Protection

## Amp-Trap® CL-14 Series

### 5.5kV, 8.25kV, and 15.5kV Clip-lock mounted fuses:

Mersen Amp-Trap fuses for the protection of transformers and distribution lines deliver overload and short circuit protection. These general purpose current-limiting fuses will melt at current that can be as low as 1.7 times the fuse current ratings up to its maximum interrupting rating. These fuses are designed to withstand the transformer magnetizing inrush current. They are single, double or triple barrels 3 inch diameter (size D) and mount in unique cam-locking clips for superior connections as well as easy installation and replacement.

### Features/Benefits:

- UL listed for compatibility with UL listed equipment.
- Clip-lock mounting for reliable high integrity connection into circuit.
- Current-limiting for superior equipment protection.
- Non-venting for silent operation
- Metal embossed catalog number and manufacturing date for lasting identification.
- Blown-fuse indicator to give positive identification of open fuse.
  - 2 lb tripped force - 0.50 Inch

### Highlights:

- E-Rated
- UL listed

### Applications:

- Protection for 5.5kV to 15.5kV transformers or distribution systems.

### Definitions:

#### General Purpose Current-Limiting Fuses (Per IEEE Std C37.40-2003):

A general purpose current-limiting fuse is one that is capable of interrupting all currents from its rated interrupting current down to the current that causes melting of the fusible element(s) in one hour or more.

**E-Rating:** E-Rated fuses are general purpose fuses that operate as follows (Per ANSI C37.46-2000):

- 100E or less – must melt in 300 seconds (5 mins.) at 200 to 240% of E (ampere) rating.
- Over 100E – must melt in 600 seconds (10 mins.) at 220 to 264% of E (ampere) rating.
- Example: A 100E fuse must melt in 300 seconds with an applied current of 200 to 240 amperes.



### Ratings:

**Amp-Trap CL-14 Series**  
(Indoor or outdoors in a weatherproof enclosure)

#### A055C

**Volts** : 5.5kV AC  
**Amps** : 10 to 600E  
**IR** : 63kA Sym

#### A083C:

**Volts** : 8.25kV AC  
**Amps** : 60 to 200E  
**IR** : 50kA Sym

#### A155C

**Volts** : 15.5kV AC  
**Amps** : 10 to 300E  
**IR** : 50kA Sym

### Approvals:

- UL Listed to standard File E143362



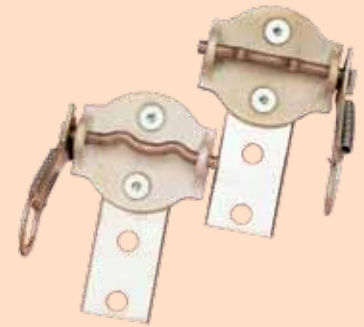
# Transformer Protection

## Amp-Trap® CL-14 Series

### Clip-lock clips for CL-14 fuses:

#### 228-700-520 (One pair of clips)

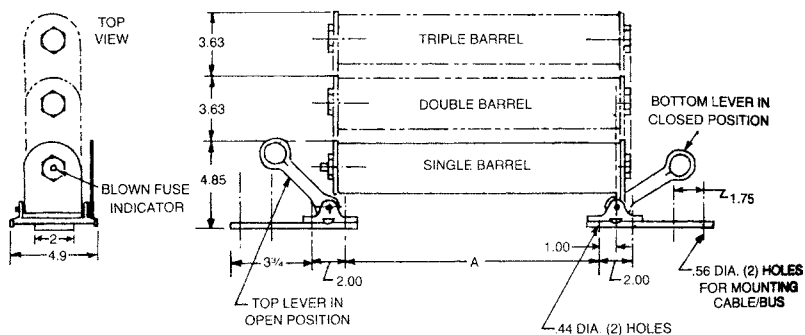
The clip lock design provides a reliable, high-pressure contact. Mersen CL-14 fuses have copper tabs which slide into position between the clip casting and cam. When the cam is locked by moving the pull ring, a high-pressure contact is made between the clip casting and fuse tab. Each clip includes two .44" diameter counter-sunk holes on 2" centers and two flat head socket screws (3/8-16 UNRC, recommended torque 200 pound-inches) for mounting the clip on standard NEMA insulators. Order catalog number 228-700-520 (for one pair of fuse clips, enough for one fuse).



### Catalog Numbers, Dimensions

CL-14 Fuse Catalog No.	A Dimensions - Inches
A055C1DORO-(10E-150E)	13.25
A055C1DORO-(200E-400E)	19.25
A055C2DORO-(450E-600E)	19.25
A155C1DORO-(10E-50E)	16.25
A155C1DORO-(65E-100E)	19.25
A155C2DORO-(125E)	19.25
A155C3DORO-(150E-300E)	19.25

Mounting Details for Clip Lock Cat. No. 228-700-520



# Transformer Protection

## Amp-Trap® CL-14 Series

### 8.25kV E-Rated Amp-Trap CL-14 Series

15.70 (399mm) and 15.39 (391mm) Clip Centers (dimension E). Suitable for use indoors or in an enclosure only

Catalog No.	Amp Rating	No. of Barrels	Indicating	Max Voltage	Max IR RMS Sym	Figure	Dimensions Inches (mm)			
							A	B	C	E
A083C1D0R0-60E	60E	1	Yes	8.25kV	50kA	A	16.95 (431)	16.26 (413)	0.5 (13) Tripped Force 2 lbs.	15.39 (391)
A083C2D0R0-200E	200E	2	Yes	8.25kV	50kA	B	16.95 (431)	16.26 (413)	0.5 (13) Tripped Force 2 lbs.	15.39 (391)

Figure B

