

1250/1300 Volt PSC Square Body

Mersen 1250/1300V PSC square body fuses provide maximum flexibility in equipment design and ultimate protection for today's power conversion equipment. These square body fuses are available in four different body sizes, each size having more than four worldwide acceptable mounting styles. The different mounting styles and body sizes along with a broad range of ampere ratings allow greatest flexibility in equipment design.

Mersen PSC fuses have been engineered to provide state-of-the-art protection for SCRs, diodes, thyristors, GTOs and IGBT devices. They have die-cut elements embedded in solidified sand which helps control arcing characteristics for low I^2t and high interrupting rating. All contact surfaces are silver plated and all hardware is non-magnetic.

All PSC square body fuses are equipped with a low voltage trip-indicator. This trip-indicator can operate a field mountable microswitch which is easily mounted directly onto the fuse.

Features/Benefits:

- Choice of mounting styles gives wide choice for equipment design
- Broad range of ampere ratings in a given body size for design flexibility
- UL/CSA/IEC 60269-4 compliance for worldwide semiconductor applications

Highlights:

- Extremely fast acting
- Current limiting
- Very low I^2t
- Superior cycling ability

Applications:

- Protection of rectifiers, inverters, DC drives, UPS Systems, reduced voltage motor starters, and other equipment in globally accepted applications

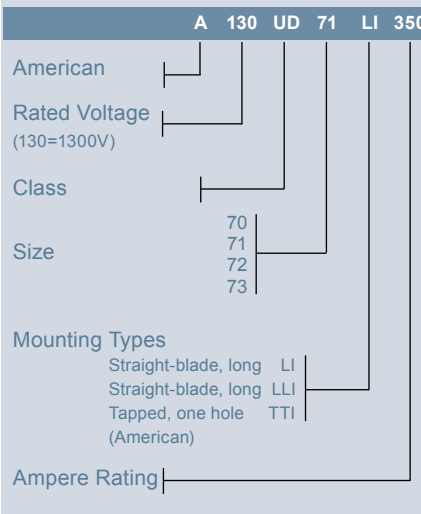
Catalog Number Designation:

A070 UR: North American Mounting Style/Approval Tested @ V_N

PC: European/IEC Mounting Style/Approval Tested @ $1.1 V_N$

* V_N = rated voltage

N. American Catalog Numbering System



Ratings:

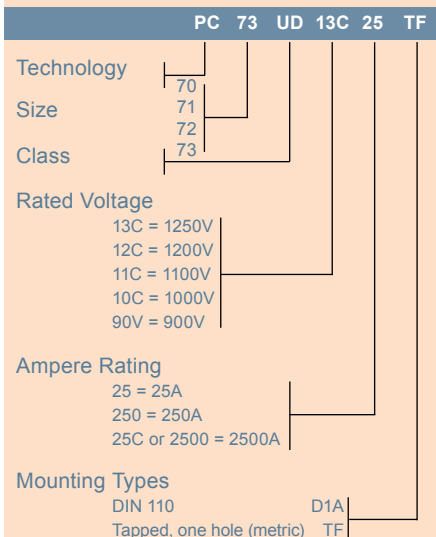
- Volts** : 650-1300 VAC
: DC - Consult Factory
- Amps** : 50-1800A
- I.R.** : 100kA AC

Approvals:

- UL recognized component File E76491
- IEC 60269-4 certified
- CSA 012636 0 000
- CCC approved



European Catalog Numbering System

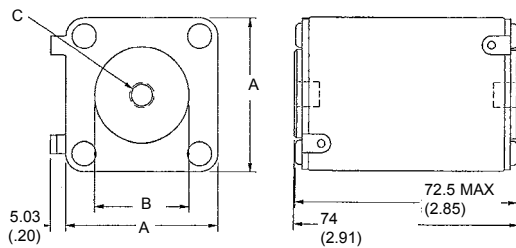


1250/1300 Volt PSC Square Body

1250/1300 Volt North American and European Tap Single Hole, Type TTI/TTF

Body Size	Type	Dimensions - mm/(In)		Tapped Hole (N. A.)		Tapped Hole (EURO.)	
		A	B	C (TTI)	D (TTF)		
70	TTI/TTF	40 (1.57)	25 (1.00)	5/16-18 X .23DP	M8 X 1.25 X 6 DP		
71		50.8 (2.00)	30.2 (1.19)	5/16-18 X .36DP	M8 X 1.25 X 9 DP		
72		60.3 (2.37)	38.1 (1.50)	3/8-16 X .36DP	M10 X 1.50 X 9 DP		
73		74.6 (2.94)	46 (1.81)	1/2-13 X .35DP	M12 X 1.75 X 9 DP		

Types TTI and TTF

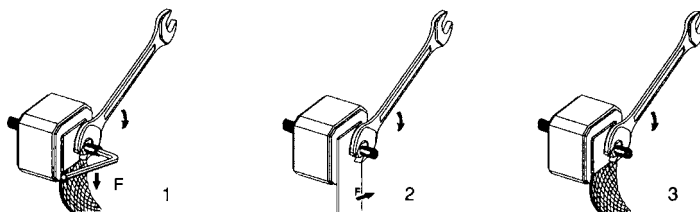


Standard Threaded Studs

Size	Reference No. Per Pair	Ref. and Dimension Per Pair of Studs	Weight (g)	Max Stud Mounting Torque (Nm)*	Max Nut Tightening Torque (Nm)*		
					Fig. 1	Fig. 2	Fig. 3
70 & 71	S098801	HC M8 X 30 & M 8 X 35	23	13	13.5	13.5	13.5
72	T098802	HC M 10 X 30 & M 10 X 50	40	15	26	26	26
73	V098803	HC M 12 X 35 & M 12 X 50	60		46	46	15
2X72	W098804	HC M 10 X 50	50		26	26	26
2X73	X098805	HC M 12 X 50	70		46	46	15

Packaging: 6 pairs

*in.lbs = Nm/0.113

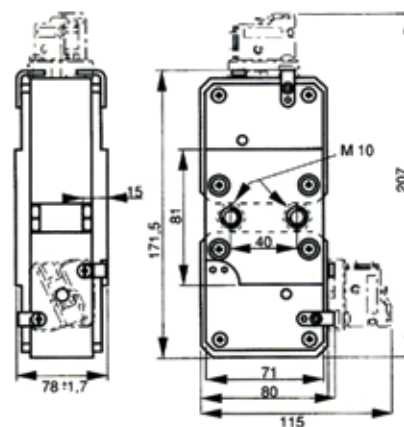


1250/1300 Volt PSC Square Body

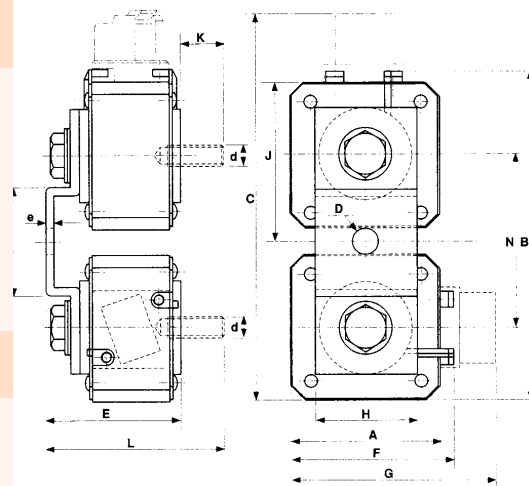
1250/1300 Volt, 2x72, 2x73 Protection Semiconductor Fuses

Size	Reference No.	Catalog No.	Description	Weight (g)	
73	H300640	PC73UD13C315PP4	12,5URD73PPAF0315	1250	
	J300641	PC73UD13C350PP4	12,5URD73PPAF0350		
	K300642	PC73UD13C405PP4	12,5URD73PPAF0400		
	L300643	PC73UD13C450PP4	12,5URD73PPAF0450		
	M300644	PC73UD13C500PP4	12,5URD73PPAF0500		
	N300645	PC73UD13C550PP4	12,5URD73PPAF0550		
	P300646	PC73UD13C630PP4	12,5URD73PPAF0630		
	Q300647	PC73UD13C700PP4	12,5URD73PPAF0700		
	R300648	PC73UD13C800PP4	12,5URD73PPAF0800		
	S300649	PC73UD12C900PP4	12URD73PPAF0900		
	T300650	PC73UD10C10CPP4	10URD73PPAF1000		
	V300651	PC73UD95V11CPP4	9,5URD73PPAF1100		
	T300719	PC73UD90V13CPP4	9URD73PPAF1250		
V300720	PC73UD85V14CPP4	8,5URD73PPAF1400			
2 X 72	W300721	PC272UD13C630TF	12,5URD272TTF0630	1750	
	X300722	PC272UD13C700TF	12,5URD272TTF0700		
	Y300723	PC272UD13C800TF	12,5URD272TTF0800		
	Z300724	PC272UD13C900TF	12,5URD272TTF0900		
	A300725	PC272UD13C10CTF	12,5URD272TTF1000		
	B300726	PC272UD13C11CTF	12,5URD272TTF1100		
	M302231	PC272UD11C13CTF	11URD272TTF1250		
	D300728	PC272UD11C14CTF	11URD272TTF1400		
	L302230	PC272UD10C16CTF	10URD272TTF1600		
	E301994	PC272UD90V18CTF	9URD272TTF1800		
2 X 73	F301995	PC272UD75V20CTF	7,5URD272TTF2000	1900	
	G301996	PC272UD65V22CTF	6,5URD272TTF2200		
	H301997	PC272UD65V25CTF	6,5URD272TTF2500		
	F300730	PC273UD13C800TF	12,5URD273TTF0800		2600
	G300731	PC273UD13C900TF	12,5URD273TTF0900		
	H300732	PC273UD13C10CTF	12,5URD273TTF1000		
	J300733	PC273UD13C11CTF	12,5URD273TTF1100		
K300734	PC273UD13C13CTF	12,5URD273TTF1250			
K302229	PC273UD11C14CTF	11URD273TTF1400			
J302228	PC273UD11C16CTF	11URD273TTF1600			
2 X 73	S302236	PC273UD11C18CTF	11URD273TTF1800	2700	
	P300738	PC273UD10C20CTF	10URD273TTF2000		
	Q300739	PC273UD95V22CTF	9,5URD273TTF2200		
	M301909	PC76UD95V22CP11	9,5URD273PLAF2200		
	R300740	PC76UD90V25CP11	9URD273PLAF2500		
	S300741	PC76UD85V28CP11	8,5URD273PLAF2800		
	K301999	PC76UD60V30CP11	6URD273PLAF3000		
	M302001	PC76UD60V32CP11	6URD273PLAF3200		
	N302002	PC76UD55V36CP11	5,5URD273PLAF3600		

PLAF



TTF



Microswitches and threaded studs supplied separately (see pages J8)

Dimensions (mm)

SIZE	A	B	C	D	E	F	G	H	J	K	d	e	L	M	N
2 X 72 TTF	60	138.5	172	11	91	65.5	100	35	66	39	M 10	4	131	48	72
2 X 73 TTF	74.5	167	200	13	91	79.6	114	50	80	39	M 12	4	131	54	86
2 X 73 PLAF	Dimensions on image above														