

# URR/URGL/URU/URGM British Standard

## Protistor® fuses

690V

URR/URGL/URU/URGM from 75 to 800A

Sizes: 36 X 55 & 2 X 36 x 55 mm

### Features/Benefits:

- Extremely high Interrupting rating fuses
- Protection of power semiconductors according to IEC 269.1 and 4
- aR class ratings from 75 to 800A according to IEC 269.4
- Complies with BS 88-4
  - without indicator
  - with external trip-indicator
  - with built in trip-indicator



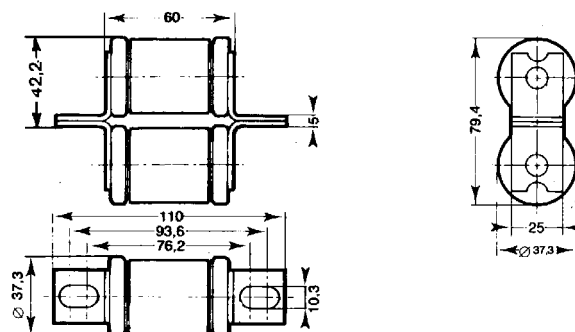
### Applications Data

Voltage Rating $U_N$ (V)	Size mm	Class	Current Rating $I_N$ (A)	Melting Pt @ 1 ms $I^2t_p$ (A <sup>2</sup> s)	Total Clearing $I^2t$ @ $U_N$ $I^2t_t$ (A <sup>2</sup> s)		Watts Loss		Tested Interrupting Rating
					$0.8 I_N$	$I_N$			
690 V	36x55	URR	75	350	1800	2000	9.7	19.5	200 kA @ 690 V
			110	1180	6000	6700	11.3	22.8	
			200	3900	18500	20500	21.8	41.4	
			250	8760	41000	46000	23.6	44.1	
		URGL	50	180	860	990	7.3	14.0	
			65	335	1600	1840	8.8	17.1	
			85	480	3450	4000	12.2	23.5	
			90	720	4100	4700	13.2	25.5	
			150	2880	12600	14500	18.9	35.3	
			180	5350	22500	25500	19.1	35.7	
			200	9510	40000	46000	17.7	33.1	
			250	21400	97000	110000	18.7	34.5	
			280	29100	125000	145000	20.3	38.0	
			315	38100	157000	180000	22.7	42.6	
	2x36x55	URU	355	48200	190000	215000	25.9	48.5	
			400	72000	265000	305000	26.7	50.0	
			200	4700	24000	27000	18.4	33.0	
			235	6920	34500	39000	21.0	37.6	
		URGM	400	21200	100000	110000	34.8	62.3	
			500	35000	164000	184000	47.2	88.2	
			630	97300	515000	575000	41.1	73.2	
			175	2880	13800	16000	24.7	47.6	
			300	13700	60000	68000	31.5	59.0	
			325	21400	90000	102000	30.0	54.0	
			355	25200	106000	120000	33.1	62.0	
			450	65600	300000	340000	34.6	63.8	
			500	85600	390000	440000	37.4	69.0	
			630	15200	630000	720000	45.4	85.2	
710	193000	760000	860000	51.8	97.0				
800	282000	1.06 106	1.22 106	53.4	100.0				

# URR/URGL/URU/URGM British Standard

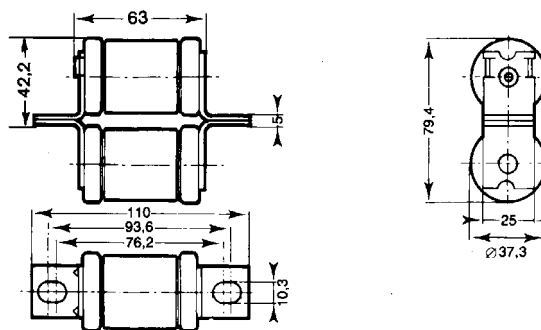
Size	Description	Catalog No.
2X36x55mm	6,9 URGM236/175	D097270
	6,9 URU236/200	F097272
	6,9 URU236/235	J097275
	6,9 URGM236/300	K097276
	6,9 URGM236/325	R097282
	6,9 URGM236/355	S097283
	6,9 URU236/400	T097284
	6,9 URGM236/450	Y097288
	6,9 URGM236/500	Z097289
	6,9 URU236/500	A097290
	6,9 URGM236/630	B097291
	6,9 URU236/630	R097351
	6,9 URGM236/710	S097352
	6,9 URGM236/800	Y097357

2x36x55 - without Trip-Indicator (mm)



Size	Description	Catalog No.
2X36x55mm	6,9 URGM236T175	F097456
	6,9 URU236T200	G097457
	6,9 URU236T235	A082179
	6,9 URGM236T300	S085553
	6,9 URGM236T325	J097459
	6,9 URGM236T355	N097463
	6,9 URU236T400	P097464
	6,9 URGM236T450	Q097465
	6,9 URGM236T500	R097466
	6,9 URU236T500	S09746
	6,9 URGM236T630	V097469
	6,9 URU236T630	W097470
	6,9 URGM236T710	C097476
	6,9 URGM236T800	D097477

2x36x55 - with Built-in Trip-Indicator (mm)



Microswitch MC 36 GR 2.5 N - Ref. P 092496