

# URE/URGS/URZ British Standard

## Protistor® Fuses

250V AC

URE/URGS/URZ from 5 up to 180A

Sizes: 10 X 28 - 17 X 27 mm

### Features/Benefits:

- Extremely high interrupting rating
- Protection of power semiconductors according to IEC 269.1 and 4
- 250V according to IEC 33
- aR class (ratings from 5 to 32A) according to VDE 636-23 and IEC 269.4
- Model according to NF C 63210 and 63211 with built-in blown trip-indicator
- 17X27 are UL recognized

### Applications Data

Voltage Rating $U_N$ (V)	Size	Class	Current Rating $I_N$ (A)	Melting $I^2t$ @ 1 ms $I^2t_p$ (A <sup>2</sup> s)	Total Clearing $I^2t$ @ UN $I^2t_t$ (A <sup>2</sup> s)		Watts Loss		Tested Interrupting Rating
					0.8 $I_N$	$I_N$	0.8 $I_N$	$I_N$	
250 V	10x28	URE	5	1.3	10	11	0.6	1	160 kA @ 250 V
			6	1.8	13	15	0.7	1.2	
			10	2.4	18	20	1.2	2.1	
			12	4.3	28	33	1.6	2.8	
			15	6.7	41	48	2.0	3.5	
			20	15.0	85	100	2.2	4.0	
			25	27.0	135	160	2.6	4.7	
			32	53.0	240	280	3.0	5.4	
	17x27	URGS	7	1.3	8.5	9.8	0.56	1	
			10	4.5	21	23.8	0.84	1.5	
			12	5.9	27	31	1.1	2.0	
			16	11.2	50	59	1.7	3.0	
			20	15.6	80	100	2.2	3.9	
			25	30.0	130	160	2.7	4.8	
			30	45.0	195	235	3.2	5.6	
			35	63.0	270	330	3.7	6.5	
			50	180.0	790	940	4.9	8.8	
			60	250.0	1100	1310	5.8	10.4	
			75	380.0	1670	1990	7.2	13.6	
			80	480.0	2100	2530	7.25	13.7	
URZ	100	730.0	3350	4060	6.5	11.5			
	125	850.0	5720	6920	6.7	12.3			
	150	1250.0	7930	9590	7.4	13.6			
	160	1730.0	9600	11700	8.8	15.6			
	180	2090.0	14500	17500	9.5	17			



### Ratings:

Volts : 250VAC

Amps : 5 to 180A

IR : 160kA I.R.

### Approvals

- UL Recognized Component (17x27mm)
- IEC 269.4, VDE 636.23 (5-32A)
- IEC 33 (250V)



# URE/URGS/URZ British Standard

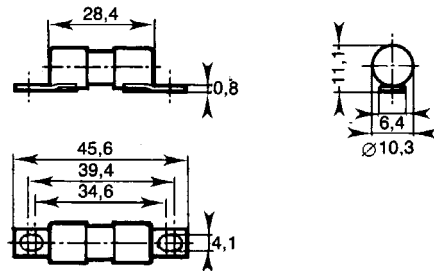
## Catalog Numbers

Size	Description	Catalog No.
10x28 mm	2.5 URE 10/5	M082489
	2.5 URE 10/6	E097478
	2.5 URE 10/10	I082488
	2.5 URE 10/12	P097487
	2.5 URE 10/15	K082487
	2.5 URE 10/20	J082486
	2.5 URE 10/25	X097494
	2.5 URE 10/32	N081984

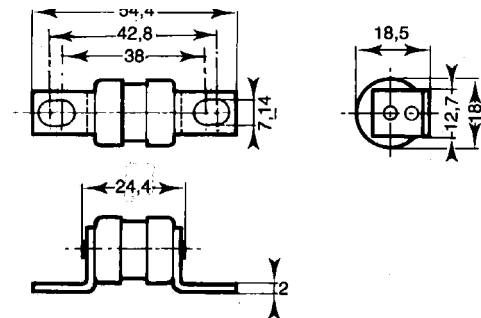
Size	Description	Catalog No.
17x27 mm	2.5 URGS 17/7	M076647
	2.5 URGS 17/10	N076648
	2.5 URGS 17/12	P076649
	2.5 URGS 17/16	Q076650
	2.5 URGS 17/20	L09507
	2.5 URGS 17/25	R076651
	2.5 URGS 17/30	S076652
	2.5 URGS 17/35	T076653
	2.5 URGS 17/50	V076654
	2.5 URGS 17/60	W076655
	2.5 URGS 17/75	X076656
	2.5 URGS 17/80	Z085559
	2.5 URZ 17/100	Y085558
	2.5 URZ 17/125	G097526
	2.5 URZ 17/150	W085556
	2.5 URZ 17/160	H097527
	2.5 URZ 17/180	N097532

Size	Description	Catalog No.
17x27 mm	2.5 URGS 17 P7	P097533
	2.5 URGS 17 P10	Q097434
	2.5 URGS 17 P12	S097536
	2.5 URGS 17 P16	X097540
	2.5 URGS 17 P20	B097540
	2.5 URGS 17 P25	D097546
	2.5 URGS 17 P30	E097547
	2.5 URGS 17 P35	F097548
	2.5 URGS 17 P50	J097551
	2.5 URGS 17 P60	H081082
	2.5 URGS 17 P75	K097552
	2.5 URGS 17 P80	L097553
	2.5 URZ 17 P100	P097556
	2.5 URZ 17 P125	Q097557
	2.5 URZ 17 P150	R097558
	2.5 URZ 17 P160	S097559
	2.5 URZ 17 P180	T097560

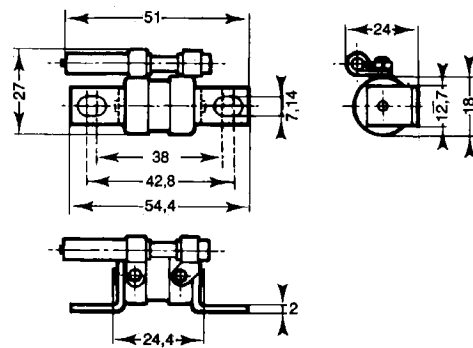
### 10x28 without Trip-Indicator (mm)



### 17x27 without Trip-Indicator (mm)



### 17x27 with Separated Trip-Indicator (mm)



Microswitch MC 6.3 GR 2.5N

**MERSEN**