

URR/URGL/URU/URGM British Standard

Protistor® fuses

690V

URR/URGL/URU/URGM from 75 to 800A

Sizes: 36 X 55 & 2 X 36 x 55 mm

Features/Benefits:

- Extremely high Interrupting rating fuses
- Protection of power semiconductors according to IEC 269.1 and 4
- aR class ratings from 75 to 800A according to IEC 269.4
- Complies with BS 88-4
 - without indicator
 - with external trip-indicator
 - with built in trip-indicator



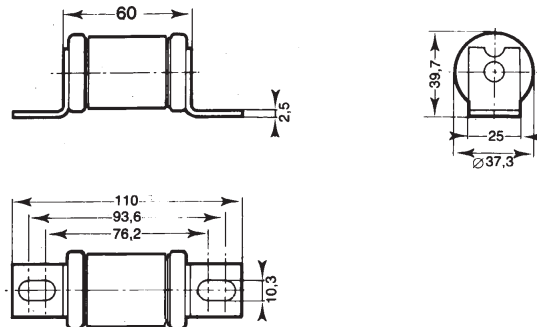
Applications Data

Voltage Rating U_N (V)	Size mm	Class	Current Rating I_N (A)	Melting I^2t @ 1 ms I^2t_p (A ² s)	Total Clearing I^2t @ U_N I^2t_t (A ² s)		Watts Loss		Tested Interrupting Rating
					$0.8 I_N$	I_N			
690 V	36x55	URR	75	350	1800	2000	9.7	19.5	200 kA @ 690 V
			110	1180	6000	6700	11.3	22.8	
			200	3900	18500	20500	21.8	41.4	
			250	8760	41000	46000	23.6	44.1	
		URGL	50	180	860	990	7.3	14.0	
			65	335	1600	1840	8.8	17.1	
			85	480	3450	4000	12.2	23.5	
			90	720	4100	4700	13.2	25.5	
			150	2880	12600	14500	18.9	35.3	
			180	5350	22500	25500	19.1	35.7	
			200	9510	40000	46000	17.7	33.1	
			250	21400	97000	110000	18.7	34.5	
			280	29100	125000	145000	20.3	38.0	
			315	38100	157000	180000	22.7	42.6	
	2x36x55	URU	355	48200	190000	215000	25.9	48.5	
			400	72000	265000	305000	26.7	50.0	
			200	4700	24000	27000	18.4	33.0	
			235	6920	34500	39000	21.0	37.6	
			400	21200	100000	110000	34.8	62.3	
			500	35000	164000	184000	47.2	88.2	
		URGM	630	97300	515000	575000	41.1	73.2	
			175	2880	13800	16000	24.7	47.6	
			300	13700	60000	68000	31.5	59.0	
			325	21400	90000	102000	30.0	54.0	
			355	25200	106000	120000	33.1	62.0	
			450	65600	300000	340000	34.6	63.8	
	500	85600	390000	440000	37.4	69.0			
	630	15200	630000	720000	45.4	85.2			
	710	193000	760000	860000	51.8	97.0			
	800	282000	1.06 106	1.22 106	53.4	100.0			

URR/URGL/URU/URGM British Standard

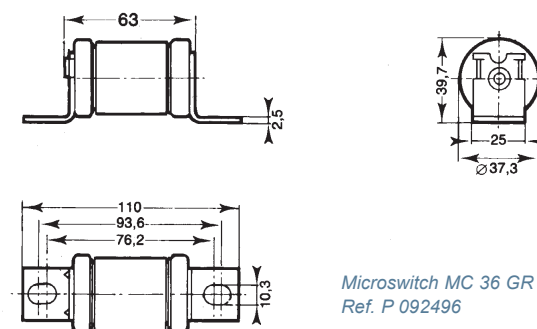
Size	Description	Catalog No.
36x55mm	6,9 URGL36/50	X097103
	6,9 URGL36/65	H097113
	6,9 URGL36/75	H097136
	6,9 URGL36/85	M097163
	6,9 URGL36/90	N097164
	6,9 URGL36/110	P097165
	6,9 URGL36/150	Q097167
	6,9 URGL36/180	S097168
	6,9 URR36/200	T097169
	6,9 URGL36/200	V097170
	6,9 URR36/250	W097171
	6,9 URGL36/280	A097175
	6,9 URGL36/315	B097176
	6,9 URGL36/355	C097177
	6,9 URGL36/400	D097178

36x55 - without Trip-Indicator (mm)



Size	Description	Catalog No.
36X55mm	6,9 URGL36T50	N097210
	6,9 URGL36T65	K097230
	6,9 URGL36T75	H099965
	6,9 URGL36T85	M097255
	6,9 URGL36T90	N097256
	6,9 URGL36T110	R099973
	6,9 URGL36T150	Z082178
	6,9 URGL36T180	P097257
	6,9 URR36T200	A085560
	6,9 URGL36T200	R097259
	6,9 URR36T250	W097263
	6,9 URGL36T250	X097264
	6,9 URGL36T280	Y097265
	6,9 URGL36T315	Z097266
	6,9 URGL36T355	A097267
	6,9 URGL36T400	C097269

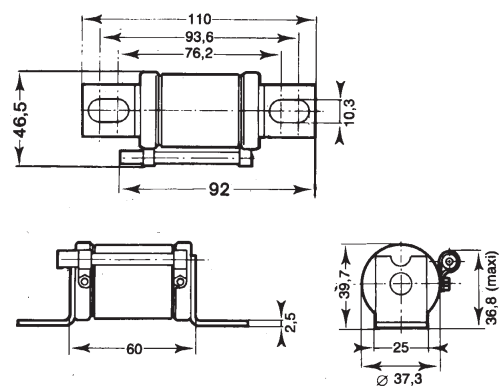
36x55 - with Built-in Trip-Indicator (mm)



Microswitch MC 36 GR 2.5 N -
Ref. P 092496

Size	Description	Catalog No.
36X55mm	6,9 URGL36P90	H097182
	6,9 URR36P110	J097183
	6,9 URGL36P150	K097184
	6,9 URGL36P180	L097185
	6,9 URR36P200	M097186
	6,9 URGL36P200	N097187
	6,9 URR36P250	P097188
	6,9 URGL36P250	Q097189
	6,9 URGL36P280	R097190
	6,9 URGL36P315	V097193
	6,9 URGL36P355	Y097196
	6,9 URGL36P400	M097209

36x55 - with Separated Trip-Indicator (mm)

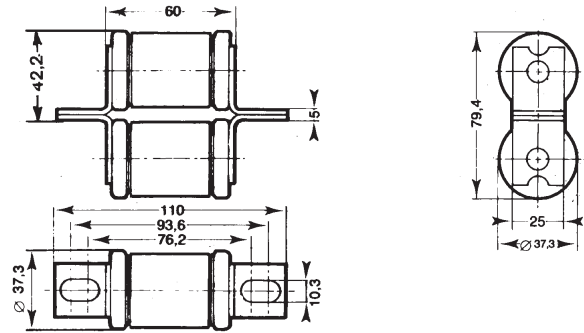


Microswitch MC 6.3 GR 2.5 N -
Ref. Y 310015

URR/URGL/URU/URGM British Standard

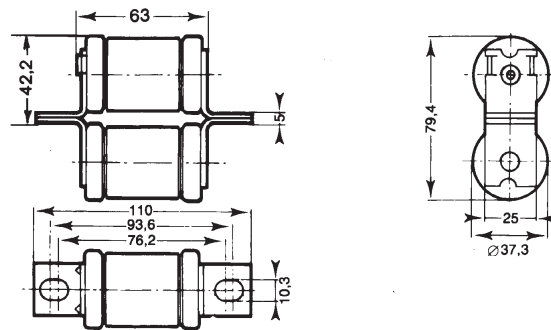
Size	Description	Catalog No.
2X36x55mm	6,9 URGM236/175	D097270
	6,9 URU236/200	F097272
	6,9 URU236/235	J097275
	6,9 URGM236/300	K097276
	6,9 URGM236/325	R097282
	6,9 URGM236/355	S097283
	6,9 URU236/400	T097284
	6,9 URGM236/450	Y097288
	6,9 URGM236/500	Z097289
	6,9 URU236/500	A097290
	6,9 URGM236/630	B097291
	6,9 URU236/630	R097351
	6,9 URGM236/710	S097352
	6,9 URGM236/800	Y097357

2x36x55 - without Trip-Indicator (mm)



Size	Description	Catalog No.
2X36x55mm	6,9 URGM236T175	F097456
	6,9 URU236T200	G097457
	6,9 URU236T235	A082179
	6,9 URGM236T300	S085553
	6,9 URGM236T325	J097459
	6,9 URGM236T355	N097463
	6,9 URU236T400	P097464
	6,9 URGM236T450	Q097465
	6,9 URGM236T500	R097466
	6,9 URU236T500	S09746
	6,9 URGM236T630	V097469
	6,9 URU236T630	W097470
	6,9 URGM236T710	C097476
	6,9 URGM236T800	D097477

2x36x55 - with Built-in Trip-Indicator (mm)



Microswitch MC 36 GR 2.5 N - Ref. P 092496