



# Gears & Fuse Gears

## American General Purpose Fuses Cylindrical & Blade Fuse Blocks Class H, K & R



### CLASS H, K AND R FUSE BLOCKS

Ferraz Shawmut Class H, K and R Fuse Blocks accommodate all Class H, K and R 250 and 600V power fuses. A choice of screw, pressure plate, box and special order stud connectors fit a wide range of stranded or solid copper or aluminum wire. Insulators are either molded glass-filled polycarbonate (GFPC) or phenolic with verified dielectric strength in excess of 2500V. 30, 60 and 100A fuse blocks feature a unique adder block which can be snapped onto 1-, 2- or 3-pole blocks to form multi-pole segmented blocks of as many poles as desired. All fuse clips are made of high conductivity tin-plated copper, with a choice of spring reinforced or non-spring reinforced clips in 30A and 60A. Clips 100A and above are spring reinforced.

### Ratings

- 250VAC: 30A, 60A, 100A, 200A, 400A, 600A
- 600VAC: 30A, 60A, 100A, 200A, 400A, 600A
- Withstand ratings: 250 & 600VAC, w/classH fuses - 10kA, w/classK fuses - 50kA, w/classR fuses - 200kA

### Approvals

- All fuse blocks meet the requirements of UL Std. 512
- UL Listed, Guide IZLT, File E52283
- UL Recognized Component Guide IZLT2, File E52283
- CSA Certified Class 6225, File 32169



### Recommendes fuse usage

Class R Blocks (250V) use with A2D-R, A2K-R, TR-R

Class R Blocks (600V) use with A6D-R, A6K-R, TRS-R

Class H & K Blocks (250V) use with OT, RF, A2Y types 1 & 3, OTN, CRN, NRN

Class H & K Blocks (600V) use with OTS, RFS, A6Y types 1 & 3, CRS, NRS

### Clip & Connector Types

30A & 60A CLIPS		CONNECTORS		CONNECTORS		CONNECTORS		CONNECTORS	
SPRING REINFORCED: CLASS R		NON-SPRING REINFORCED: 30A & 60A BOX		SPRING REINFORCED: 30A & 60A BOX		SPRING REINFORCED: 100A BOX		SPRING REINFORCED: 400A BOX IN-LINE CLIP	
CLASS H & K		30A SCREW		30A SCREW (R)		200A BOX SIDE-CLIP		600A BOX IN-LINE CLIP	
NON-SPRING REINFORCED		30A PRESSURE PLATE		30A PRESSURE PLATE		400A BOX SIDE-CLIP			

# Gears & Fuse Gears



## American General Purpose Fuses Cylindrical & Blade Fuse Blocks Class H, K & R

### CLASS H, K AND R FUSE BLOCKS

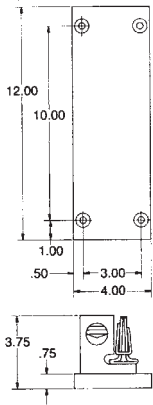


Figure 1

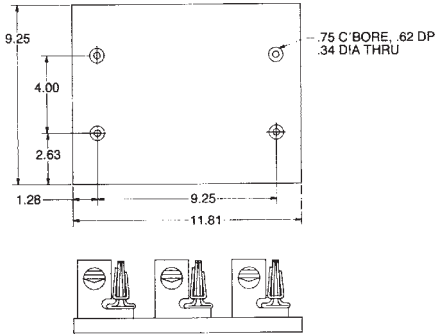


Figure 2

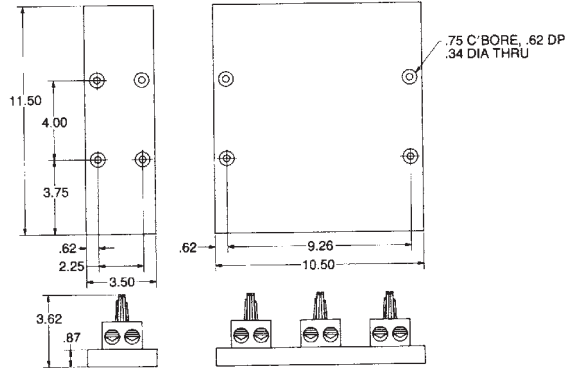


Figure 3

Figure 4

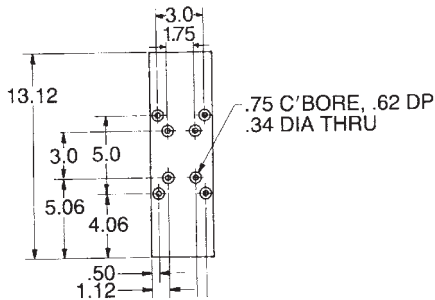


Figure 5

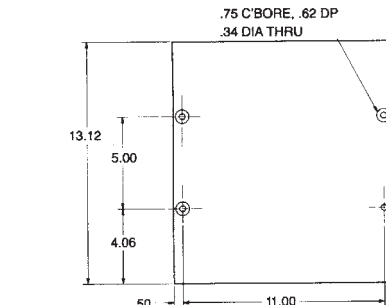


Figure 6

Recommended mounting screws for all 400A and 600A fuse blocks: 5/16 (.313" dia.)

### 250 Volt, 400 & 600 Ampere Class H, K and R Fuse Blocks

Amper Rating	Poles	Connector		Catalog Number		Reference Number		Fig.	Torque In - lb
		Type	Wire Range	Type of clip	Type of clip	Type of clip	Type of clip		
400 PHENOLIC INSULATOR	1	BOX*	Al/Cu	24001	24001R	T219046	J219566	1	375
	3	SIDE-CLIP	1000 - 250kcmil	24003	24003R	P230473	D222022	2	375
	1	BOX*	Cu**	24051	24051R	P204759	K211356	1	375
	3	SIDE-CLIP	1000 - 250kcmil	24053	24053R	R211868	D212385	2	375
600 PHENOLIC INSULATOR	1	BOX	Al/Cu	24031	24031R	P222768	D223287	3	275
	3	IN-LINE CLIP	(2) 350 kcmil-#4	24033	24033R	T201106	E201622	4	275
	1	BOX	Cu**	24061	24061R	Q230474	N212900	3	275
	3	IN-LINE CLIP	(2) 350 kcmil-#6	24063	24063R	R230475	Z213416	4	275
600 PHENOLIC INSULATOR	1	BOX	Al/Cu	2631	2631R	F214434	H214942	5	500
	3	IN-LINE CLIP	(2) 500 kcmil-#4	2633	2633R	K215450	P215960	6	500
	1	BOX	Cu**	2661	2661R	Q216467	A216982	5	375
	3	IN-LINE CLIP	(2) 500 kcmil-#4	2663	2663R	L217498	V218012	6	375

\* Not UL Listed or CSA Certified

\*\* Fuse blocks have copper box connectors and clips and are for copper wires only. These are specifically designed with the same coefficient of expansion as copper wire for improved heat cycling and meet or exceed OEM "no aluminum" specifications.