

## TDX200 Transient Discriminating Panel Protection



### Features

- Transient Discriminating (TD) Technology provides increased service life
- Modular design allows individual modes to be field replaceable, built-in disconnect and fusing eliminates need for external fusing
- Built-in features include TD Technology, thermal protection and short circuit current cartridge fusing
- Compact NEMA®-4 enclosure design can be flush mounted or installed in a small space
- Status indication flag per mode, voltage presence LED's, audible alarm and voltage-free contacts providing remote status monitoring
- 200kA 8/20µs maximum surge rating provides protection suitable for service entrance, main-distribution panels and highly exposed applications
- Available in various operating voltages to suit most common power distribution systems
- CE, UL® 1449 Edition 3 Listed

The TDX200 Series of Transient Voltage Surge Suppressors is designed for critical protection applications. The 200kA 8/20µs of surge protection exceeds the IEEE® C62.41.2 Scenario II single shot surge rating requirements for exposed service entrance locations – Exposure 3.

The NEMA-4 weather-tight housing allows the TDX to be installed on indoor or outdoor service panels. The

preconfigured connecting leads simplify installation. The unique narrow construction allows the SPD to fit between adjacent panel boards and connect via a 90-degree elbow. A flush mounting kit is also available for installing the SPD in drywall applications.

Listed as a Type 1 SPD to UL 1449 Edition 3, the TDX200 Series can be installed within a Type 1 or 2 location in accordance with the NEC® 2008



Typical installation



TDX200M Enclosure



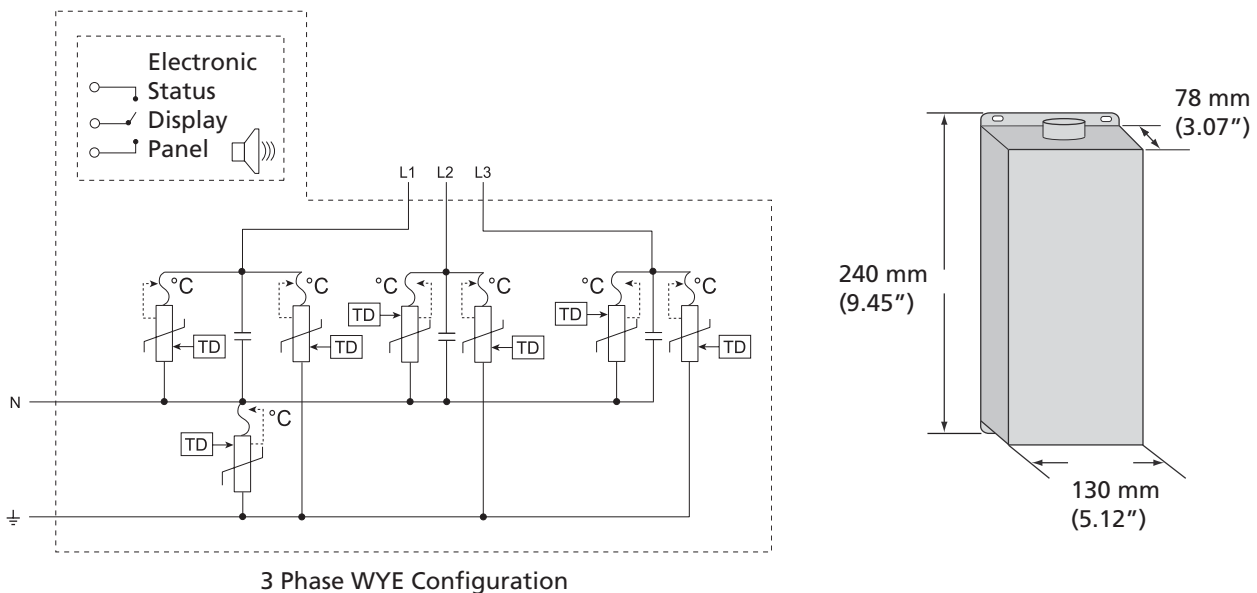
TDX Replaceable Modules



TDX Replaceable Module backplane fully removed

Model	TDX200M 120/208	TDX200M 120/240	TDX200M 120/240D	TDX200M 240D	TDX200M 277/480	TDX200M 277/480TT*	TDX200M 347/600	TDX200M 480D	
Nominal Voltage, U <sub>n</sub>	120/208 V		120/240 V		240 V	277/480 V		347/600 V	480 V
Distribution System	3Ph 4W+G	1Ph 3W+G	3Ph Δ 4W+G	3Ph Δ 3W+G	3Ph 4W+G			3Ph Δ 3W+G	
Max Cont. Operating Voltage, U <sub>c</sub>	170/295 VAC	170/340 VAC			275 VAC	320/536 VAC		610/970 VAC	610 VAC
Stand-off Voltage	240/415 VAC	240/480 VAC	240/415 VAC		415 VAC	480/831 VAC		790/1370 VAC	790 VAC
Frequency	50/60 Hz								
Short Circuit Current Rating, I <sub>sc</sub>	200 kAIC								
Technology	Over-current Replaceable Cartridge Fusing TD Technology with thermal disconnect								
Max Discharge Current, I <sub>max</sub>	200 kA 8/20 μs per phase								
Impulse Current, I <sub>imp</sub>	20 kA 10/350 μs per mode					20 kA 10/350 μs per mode		20 kA 10/350 μs per mode	
Nominal Discharge Current, I <sub>n</sub>	100 kA 8/20 μs				80 kA 8/20 μs				
Protection Modes	All modes protected via L-N, L-G & N-G								
Voltage Protection Rating (VPR)	L-N 600 V @ 3 kA 1.2 kV @ 20 kA			L-L 1.0 kV @ 3 kA 1.8 kV @ 20 kA		L-N 1.0 kV @ 3 kA 1.8 kV @ 20 kA		L-N 1.8 kV @ 3 kA 2.6 kV @ 20 kA	L-L 1.8 kV @ 3 kA 2.6 kV @ 20 kA
Status	Audible Alarm LED status indication per phase, mechanical flag per mode, all modes monitored Form A remote contacts, max 1.5 mm <sup>2</sup> (#14 AWG) terminals								
Dimensions H x D x W: mm (in)	240 x 78 x 130 (9.45 x 3.07 x 5.12)								
Weight: kg (lbs)	2.0 (4.4)								
Enclosure	Aluminum, IP 65 (NEMA®-4)								
Connection	Line: 762 mm of 5.26 mm <sup>2</sup> (30" of # 10 AWG) flying leads Neutral/Ground: 900 mm of 5.26 mm <sup>2</sup> (36" of # 10 AWG) flying leads								
Mounting	3/4" straight nipple; Optional flush mounting plate for drywall								
Temperature	-40°C to 80°C (-40°F to 176°F)								
Approvals	C-Tick, CE, IEC® 61643-1, UL 1449 Edition 3 Listed Type 1/2								
Surge Rated to Meet	ANSI/IEEE® C62.41.2-2002 Cat A, Cat B, Cat C ANSI/IEEE® C62.41.2-2002 Scenario II, Exposure 3, 100 kA 8/20 μs, 10 kA 10/350 μs IEC 61643-1 Class I, Class II UL® 1449 Edition 3 In 20 kA mode								
Available Options	Flush Mount Kit (Order TDXM200FP) Replacement Fuse Cartridge (Order TDXFUSE) Side Mount Kit (Order TDXSM) Surge Counter and Filtering insert "S" in Order Code, example TDX100S277/480								
Replacement Module	TDS150M150		TDS150M150 TDS150M240	TDS150M240	TDS150M277	TDS150M277 (L-N) SGD125M (N-G)	TDS150M560		

Delta and "S" models are Type 2 devices.



ANSI is a registered trademark of the American National Standards Institute. IEC is a registered trademark of the International Electrotechnical Commission. IEEE is a registered trademark of the Institute of Electrical and Electronics Engineers, Incorporated. NEMA is a registered trademark of the National Electrical Manufacturers Association. UL is a registered certification mark of UL LLC.