

Device Boxes and Covers

Single-Gang Cast Device Boxes

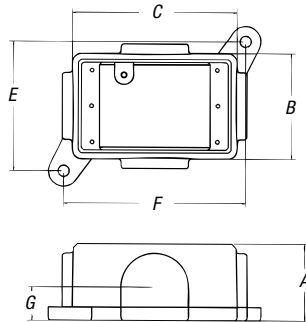


Fig. A Dead-End

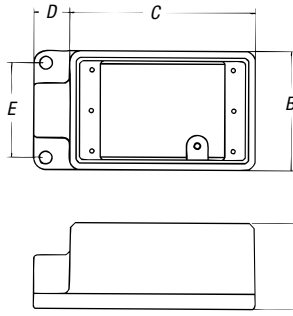


Fig. B Dead-End

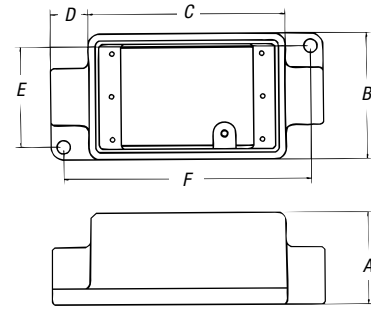


Fig. C Thru-Feed



Shallow Single-Gang Cast Device Boxes

CAT. NO.	FIG.	HUB SIZE	DIMENSIONS (IN.)							THROAT DIA.	
			A	B	C	D	E	F	G	MIN.	MAX.
<i>Dead-End</i>											
FS019-TB	A	Blank	2.00	2.75	4.28	—	3.38	4.72	.88	N/A	N/A
FS1-TB	B	½"	2.00	2.75	4.28	.88	2.19	—	—	.570	.610
FS2-TB	B	¾"	2.00	2.75	4.28	.88	2.19	—	—	.755	.810
FS3-TB	B	1"	2.00	2.75	4.28	.88	2.19	—	—	.935	1.035
<i>Thru-Feed</i>											
FSC1-TB	C	½"	2.00	2.75	4.28	.88	2.19	5.38	—	.570	.610
FSC2-TB	C	¾"	2.00	2.75	4.28	.88	2.19	5.38	—	.755	.810
FSC3-TB	C	1"	2.00	2.75	4.28	.88	2.19	5.38	—	.935	1.035



Deep Single-Gang Cast Device Boxes

CAT. NO.	FIG.	HUB SIZE	DIMENSIONS (IN.)							THROAT DIA.	
			A	B	C	D	E	F	G	MIN.	MAX.
<i>Dead-End</i>											
FD019-TB	A	Blank	2.81	2.75	4.28	—	3.38	4.72	1.38	N/A	N/A
FD1-TB	B	½"	2.81	2.75	4.28	.88	2.19	—	—	.570	.610
FD2-TB	B	¾"	2.81	2.75	4.28	.88	2.19	—	—	.755	.810
FD3-TB	B	1"	2.81	2.75	4.28	.88	2.19	—	—	.935	1.035
<i>Thru-Feed</i>											
FDC1-TB	C	½"	2.81	2.75	4.28	.88	2.19	5.38	—	.570	.610
FDC2-TB	C	¾"	2.81	2.75	4.28	.88	2.19	5.38	—	.755	.810
FDC3-TB	C	1"	2.81	2.75	4.28	.88	2.19	5.38	—	.935	1.035