

## Conduit Bodies and Covers

### T&B® Conduit Fittings for Ordinary and Hazardous Locations

Thomas & Betts offers a broad range of conduit bodies, conduit boxes, conduit fittings, unions, sealing fittings, drains and cable fittings for both ordinary and hazardous locations. Complete information on applications, features, materials, finishes, size range and certifications is provided in the following pages.

#### Conduit Bodies (for ordinary locations)

For raceway systems to provide pull outlets, 90° bends, splices, taps, mounting outlets, etc.

Form 7 Sand Cast Iron BlueKote®	For neat, compact installation of rigid threaded conduit.
Form 7 Sand Cast Aluminum	For neat, compact installation of aluminum threaded conduit.
Form 8 Sand Cast Iron BlueKote®	For heavier conductors using rigid threaded conduit.
Series 35	For economy installations of rigid threaded conduit.
Stainless Steel	For superior corrosion protection.
Mogul Conduit Fittings	For larger conduits, spacious, accessible wiring chambers.

*NOTE: For information on Red•Dot® Die-Cast Aluminum Conduit Bodies for rigid conduit and EMT applications, see pages E-554–E-599.*

#### Cast Device Boxes (for ordinary locations)

For raceway systems to accommodate wiring devices, serve as pull boxes and provide entrances for taps and splices.

*FS/FD Single- and Double-Gang Cast Device Boxes*

#### Cast Conduit Outlet Boxes (for hazardous locations)

Round cast outlet boxes used with rigid conduit to serve as pull and splice boxes, easy access to wiring, act as a housing for instruments, apparatus, etc.

*GUA Conduit Outlet Bodies*

#### Reducers, Plugs, Unions (for ordinary and hazardous locations)

Includes reducers for connecting conduit of dissimilar dimensions, plugs for unused conduit openings and hubs and unions for threaded conduit systems.

*RE, PLG REC Reducers, Plugs and Adapters, UNY/UNF Unions*

#### Sealing Fittings and Drains (for ordinary and hazardous locations)

Cast fittings used with rigid conduit to seal sections from passage of vapors, flame or gases or explosions. Drains provide ventilation as a breather and as a drain in moist locations.

*EYS/EYD Sealing Fittings & ECD Drains*

#### Cable Fittings (for ordinary and hazardous locations)

For armored, metal clad, jacketed or unjacketed and unarmored cables through a bulkhead or enclosure in ordinary or hazardous areas.



## Conduit Bodies and Covers

### Conduit Outlet Bodies

#### Application

Conduit Bodies are installed in conduit systems to:

- Connect conduit sections
- Act as pull outlets when conductors are being installed
- Provide easy access for splices in branch conductors
- Make 90° bends in conduit runs
- Act as mounting outlets for wiring devices and lighting fixtures
- Provide access to conductors for maintenance and future system changes

#### Features

- Standard features include tapered (NPT) threads and integral bushings to protect wire insulation
- T&B Form 7 bodies and covers are interchangeable with other manufacturers' Form 7 bodies and covers
- T&B Form 8 bodies and covers are interchangeable with other manufacturers' Form 8 bodies and covers
- T&B Form 7 and Form 8 cast iron bodies feature BlueKote® internal coating for easier wire pulling
- T&B Series 35 bodies and covers are interchangeable with other manufacturers' 35/5 Series iron and steel bodies and covers
- Form 7 sand cast aluminum is made with a special aluminum alloy, providing superior corrosion resistance as cast; no protective coatings needed
- Special sand cast aluminum alloy makes these conduit bodies ideal for use in food and beverage, pharmaceutical, chemical processing and other corrosive environments
- All Form 7 and Form 8 covers include gaskets

#### Materials

Form 7, Form 8 and Series 35 Iron Conduit Bodies ..... Sand-cast class 30 gray iron alloy

Stainless Steel Conduit Bodies..... Type 316 stainless steel

Form 7 aluminum ..... Sand-cast CorroStall™ aluminum alloy

Covers..... Sand-cast gray iron alloy and stamped sheet steel with steel-stainless steel screws

Stainless Steel Covers..... Cast and stamped Type 316 stainless steel with stainless steel screws

Gaskets..... Neoprene

Aluminum Covers..... Sand-cast CorroStall™ aluminum alloy or sheet aluminum with stainless steel screws, aluminum clips and stainless steel and Neoprene O-ring washer

#### Finish

Form 7, Form 8 and Series 35 Iron Conduit Bodies ..... Zinc-plating with aluminum acrylic coating

Form 7 and Form 8 Iron Bodies..... Internal PTFE-based BlueKote® coating

Covers..... Gray iron zinc-plating with aluminum acrylic coating, and stamped steel zinc-plating with clear chromate coating; Form 7 and Form 8 covers include Neoprene gasket

Stainless Steel Bodies and Covers ..... Polished

Aluminum Bodies and Covers ..... As cast

#### Listings/Compliances

UL Standard: 514A, 514B  
 Fed. Spec: W-C-586D  
 CSA Standard: C22.2 No. 18



## Conduit Bodies and Covers

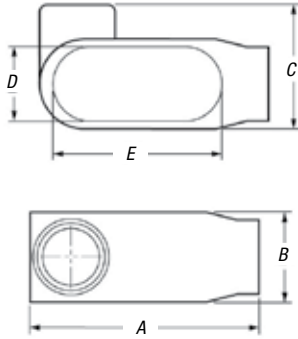


### Conduit Bodies Quick Reference

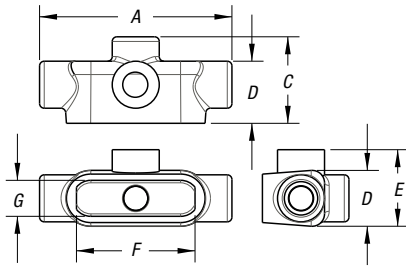
SHAPE	TYPE	HUB SIZE (IN.)										SEE PAGE
		½	¾	1	1¼	1½	2	2½	3	3½	4	
	BlueKote® Form 7	LB17	LB27	LB37	LB47	LB57	LB67	LB77	LB87	LB97	LB107	E-71
	BlueKote® Form 8*	LB18	LB28	LB38	LB448	LB58	LB68	LB78	LB888	LB98	LB108	E-71
	Series 35	LB50M	LB75M-TB	LB100M	LB125M	LB150M	LB200M	LB250M	LB300M	LB350M	LB400M	E-71
	Sand Cast Aluminum Form 7	LB17SA	LB27SA	LB37SA	LB47SA	LB57SA	LB67SA	LB77SA	LB87SA	LB97SA	LB107SA	E-76
	Stainless Steel Form 8	LB18SST	LB28SST	LB38SST	LB48SST	LB58SST	LB68SST	(with covers, gaskets and screws)				E-69
	BlueKote® Form 7	LU17	LU27	LU37	LU47	LU57	LU67	—	—	—	—	E-71
	Stainless Steel Form 8	LU18SST	LU28SST	LU38SST	LU48SST	LU58SST	LU68SST	(with covers, gaskets and screws)				E-69
	Sand Cast Aluminum Form 7	LU17SA	LU27SA	LU37SA	LU47SA	LU57SA	LU67SA	—	—	—	—	E-77
	BlueKote® Form 7	T17	T27	T37	T47	T57	T67	T77	T87	T97	T107	E-71
	BlueKote® Form 8*	T18	T28	T38-TB	T448	T58	T68	T78	T88-TB	—	—	E-71
	Series 35	T50M	T75M	T100M	T125M	T150M	T200M	T250M	T300M	T350M	T400M	E-72
	Sand Cast Aluminum Form 7	T17SA	T27SA	T37SA	T47SA	T57SA	T67SA	T77SA	T87SA	T97SA	T107SA	E-77
	Stainless Steel Form 8	T18SST	T28SST	T38SST	T48SST	T58SST	T68SST	(with covers, gaskets and screws)				E-69
	BlueKote® Form 7	C17	C27	C37	C47	C57	C67	C77-TB	C87	—	—	E-72
	BlueKote® Form 8*	C18	C28	C38	C448	C58-TB	C68	C78	C88	—	—	E-72
	Series 35	C50M	C75M-TB	C100M	C125M	C150M	C200M	C250M-TB	C300M	C350M	C400M	E-72
	Sand Cast Aluminum Form 7	C17SA	C27SA	C37SA	C47SA	C57SA	C67SA	—	—	—	—	E-76
	BlueKote® Form 7	LL17	LL27	LL37	LL47	LL57	LL67	LL77	LL87	LL97	LL107	E-72
	BlueKote® Form 8*	LL18	LL28	LL38	LL448	LL58	LL68	LL78	LL888	—	—	E-73
	Series 35	LL50M	LL75M	LL100M	LL125M	LL150M	LL200M	LL250M	LL300M	LL350M	LL400M	E-73
	Sand Cast Aluminum Form 7	LL17SA	LL27SA	LL37SA	LL47SA	LL57SA	LL67SA	—	—	—	—	E-76
	BlueKote® Form 7	LR17	LR27	LR37	LR47	LR57	LR67	LR77	LR87	LR97	LR107	E-73
	BlueKote® Form 8*	LR18	LR28	LR38	LR448	LR58	LR68	LR78	LR888	—	—	E-73
	Series 35	LR50M	LR75M	LR100M	LR125M	LR150M	LR200M	LR250M	LR300M	LR350M-TB	LR400M	E-73
	Sand Cast Aluminum Form 7	LR17SA	LR27SA	LR37SA	LR47SA	LR57SA	LR67SA	—	—	—	—	E-76
	BlueKote® Form 7	L17-TB	L27-TB	L37-TB	L47-TB	L57-TB	L67-TB	—	—	—	—	E-74
	BlueKote® Form 7	TB17-TB	TB27	TB37	TB47	TB57	TB67	—	—	—	—	E-74
	BlueKote® Form 8*	TB18	TB28	TB38	TB448	TB58	TB68	—	—	—	—	E-74
	Series 35	TB50M	TB75M	TB100M	TB125M	TB150M	TB200M	—	—	—	—	E-75
	Sand Cast Aluminum Form 7	TB17SA	TB27SA	TB37SA	TB47SA	TB57SA	TB67SA	—	—	—	—	E-77
	Stainless Steel Form 8	TB18SST	TB28SST	TB38SST	TB48SST	TB58SST	TB68SST	(with covers, gaskets and screws)				E-69
	BlueKote® Form 7	X17	X27	X37	X47	X57	X67	—	—	—	—	E-75
	BlueKote® Form 8*	X18	X28	X38	X448	X58	X68	—	—	—	—	E-75
	Series 35	X50M	X75M	X100M	X125M	X150M	X200M	—	—	—	—	E-75
	Sand Cast Aluminum Form 7	X17SA	X27SA	X37SA	X47SA	X57SA	X67SA	—	—	—	—	E-77
	BlueKote® Form 7	E17	E27	E37	—	—	—	—	—	—	—	E-75
	BlueKote® Form 7	TA17	TA27	TA37	TA47	TA57	TA67	—	—	—	—	E-74

\* ½" through 1¼" have (2) mounting holes; 1½" through 4" have (4) mounting holes

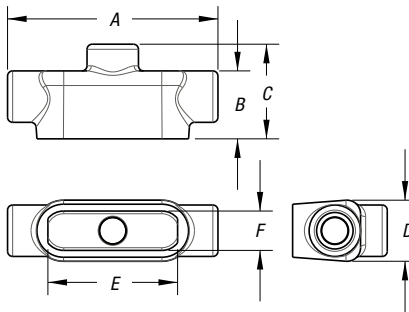
## Conduit Bodies and Covers



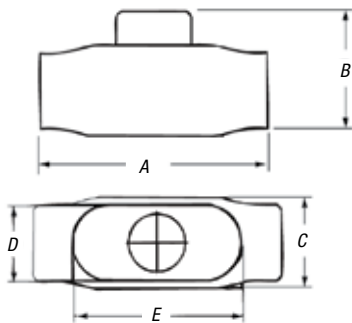
L Form 7



TA Form 7



TB Form 7



TB Form 8



### L Form 7 BlueKote® Conduit Bodies

CAT. NO.	HUB SIZE	DIMENSIONS (IN.)				
		A	B	C	D	E
L17-TB	½"	4.60	1.40	1.45	.95	3.20
L27-TB	¾"	5.25	1.60	1.65	1.15	3.80
L37-TB	1"	6.00	1.90	2.60	1.35	4.55
L47-TB	1¼"	6.45	2.30	3.05	1.80	5.00
L57-TB	1½"	7.90	2.60	3.80	2.05	5.45
L67-TB	2"	8.30	3.20	4.25	2.45	6.40



### TA Form 7 BlueKote® Conduit Bodies

CAT. NO.	HUB SIZE	DIMENSIONS (IN.)						
		A	B	C	D	E	F	G
TA17	½"	5.57	1.80	2.57	1.62	2.34	3.19	.94
TA27	¾"	6.19	2.00	2.79	1.80	2.58	3.82	1.13
TA37	1"	7.35	2.23	3.07	2.29	3.10	4.55	1.35
TA47	1¼"	7.30	2.32	3.18	2.20	3.06	5.03	1.80
TA57	1½"	8.57	2.58	3.89	2.45	3.77	5.44	2.05
TA67	2"	9.48	3.20	4.43	3.06	4.26	6.41	2.44



### TB Form 7 BlueKote® Conduit Bodies

CAT. NO.	HUB SIZE	DIMENSIONS (IN.)					
		A	B	C	D	E	F
TB17-TB	½"	5.57	1.77	2.57	1.62	3.19	.94
TB27	¾"	6.19	2.00	2.79	1.80	3.82	1.13
TB37	1"	7.35	2.28	3.07	2.29	4.63	1.35
TB47	1¼"	7.30	2.32	3.18	2.20	5.03	1.80
TB57	1½"	8.57	2.58	3.89	2.45	5.44	2.05
TB67	2"	9.48	3.20	4.43	3.06	6.41	2.44



### TB Form 8 BlueKote® Conduit Bodies

CAT. NO.	HUB SIZE	DIMENSIONS (IN.)					
		A	B	C	D	E	CU. IN.
TB18	½"	5.69	2.63	1.38	1.00	3.31	6.0
TB28	¾"	6.28	2.88	1.19	1.19	3.94	9.0
TB38	1"	7.31	3.25	1.75	1.38	4.56	15.0
TB448	1¼"	8.50	3.31	2.19	1.75	5.31	24.0
TB58	1½"	10.38	3.69	2.75	2.13	6.50	46.5
TB68	2"	12.25	4.25	3.75	3.00	8.56	88.0

## PVC-Coated Conduit and Accessories

The ultimate in corrosion protection!

### Ocal-Blue® Conduit

- Hot-dip galvanized steel or aluminum conduit
- Nominal .002" (2 mil) blue urethane coating on interior
- Hot-dipped galvanized threads (steel)
- Minimum .040" (40 mil) PVC coating on exterior — in your choice of blue, white, gray or custom colors
- Color-coded thread protectors
- Couplings shipped with conduit are packaged separately



CAT. NO.		PIPE SIZE IN. METRIC SIZE DESIGNATOR*	OUTSIDE DIAMETER STEEL ONLY IN. MM	OUTSIDE DIAMETER WITH PVC IN. MM	NOMINAL WALL THICKNESS STEEL ONLY IN. MM	NOMINAL WALL THICKNESS WITH PVC IN. MM	NOMINAL INSIDE DIAMETER IN. MM	CROSS SECTION AREA IN SQUARE IN. MM	LENGTH WITHOUT COUPLINGS FT. M	MINIMUM WEIGHT PER FOOT STEEL ONLY LBS. KG
STEEL	ALUMINUM									
<b>COND1/2-</b>	<b>COND1/2SA-</b>	<b>½</b>	<b>.84</b>	<b>.92</b>	<b>.10</b>	<b>.14</b>	<b>.63</b>	<b>.30</b>	<b>9'11¼"</b>	<b>.79</b>
		16	21.30	23.30	2.64	3.56	16.10	7.72	3.03	.36
<b>COND3/4-</b>	<b>COND3/4SA-</b>	<b>¾</b>	<b>1.05</b>	<b>1.13</b>	<b>.11</b>	<b>.15</b>	<b>.84</b>	<b>.53</b>	<b>9'11¼"</b>	<b>1.05</b>
		21	26.70	28.70	2.71	3.73	21.20	13.53	3.03	.48
<b>COND1-</b>	<b>COND1SA-</b>	<b>1</b>	<b>1.32</b>	<b>1.40</b>	<b>.13</b>	<b>.17</b>	<b>1.06</b>	<b>.86</b>	<b>9'11"</b>	<b>1.53</b>
		27	33.40	35.40	3.20	4.21	27.00	21.94	3.02	.69
<b>COND1-1/4-</b>	<b>COND1-1/4SA-</b>	<b>1¼</b>	<b>1.66</b>	<b>1.74</b>	<b>.13</b>	<b>.17</b>	<b>1.39</b>	<b>1.50</b>	<b>9'11"</b>	<b>2.01</b>
		35	42.20	44.10	3.37	4.39	35.40	37.97	3.02	.91
<b>COND1-1/2-</b>	<b>COND1-1/2SA-</b>	<b>1½</b>	<b>1.90</b>	<b>1.98</b>	<b>.14</b>	<b>.18</b>	<b>1.62</b>	<b>2.04</b>	<b>9'11"</b>	<b>2.40</b>
		41	48.30	50.20	3.50	4.52	41.20	51.71	3.02	1.09
<b>COND2-</b>	<b>COND2SA-</b>	<b>2</b>	<b>2.38</b>	<b>2.46</b>	<b>.15</b>	<b>.19</b>	<b>2.08</b>	<b>3.36</b>	<b>9'11"</b>	<b>3.32</b>
		53	60.30	62.30	3.70	4.72	52.90	85.21	3.02	1.51
<b>COND2-1/2-</b>	<b>COND2-1/2SA-</b>	<b>2½</b>	<b>2.88</b>	<b>2.96</b>	<b>.19</b>	<b>.23</b>	<b>2.49</b>	<b>4.80</b>	<b>9'10½"</b>	<b>5.27</b>
		63	73.00	75.00	4.90	5.91	63.20	121.61	3.01	2.39
<b>COND3-</b>	<b>COND3SA-</b>	<b>3</b>	<b>3.50</b>	<b>3.58</b>	<b>.21</b>	<b>.25</b>	<b>3.09</b>	<b>7.39</b>	<b>9'10½"</b>	<b>6.83</b>
		78	88.90	90.90	5.20	6.22	78.50	187.80	3.01	3.10
<b>COND3-1/2-</b>	<b>COND3-1/2SA-</b>	<b>3½</b>	<b>4.00</b>	<b>4.08</b>	<b>.22</b>	<b>.26</b>	<b>3.57</b>	<b>9.87</b>	<b>9'10¼"</b>	<b>8.31</b>
		91	101.60	103.60	5.46	6.47	90.70	250.60	3.00	3.77
<b>COND4-</b>	<b>COND4SA-</b>	<b>4</b>	<b>4.50</b>	<b>4.58</b>	<b>.23</b>	<b>.27</b>	<b>4.05</b>	<b>12.73</b>	<b>9'10¼"</b>	<b>9.73</b>
		103	114.30	116.30	5.71	6.73	102.90	323.34	3.00	4.41
<b>COND5-</b>	<b>COND5SA-</b>	<b>5</b>	<b>5.56</b>	<b>5.64</b>	<b>.25</b>	<b>.29</b>	<b>5.07</b>	<b>20.01</b>	<b>9'10"</b>	<b>13.14</b>
		129	141.30	143.30	6.22	7.23	128.90	508.15	3.00	5.96
<b>COND6-</b>	<b>COND6SA-</b>	<b>6</b>	<b>6.63</b>	<b>6.71</b>	<b>.27</b>	<b>.31</b>	<b>6.09</b>	<b>28.89</b>	<b>9'10"</b>	<b>17.46</b>
		155	168.30	170.30	6.75	7.87	154.80	733.83	3.00	7.92

*Note* — Inches, feet and pounds are indicated in bold type. Metric measure is directly below bold type.  
\* Metric size designator (ANSI C80.1-1994).

CAT. NO.	SIZE	MATERIAL	COLOR
<b>COND3/4</b>	<b>¾</b>	<b>Blank</b> = Steel	<b>_____</b> = space for color identifier
		<b>SA</b> = Aluminum	<b>G</b> = Gray
			<b>W</b> = White
			<b>B</b> = Blue

**Catalog No. Example:**  
**COND3/4-G** is ¾" steel conduit coated in gray PVC.  
Custom colors also available.

