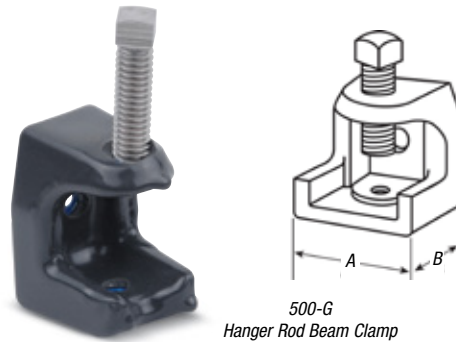


PVC-Coated Strut and Accessories

Corrosion-protected clamps for hanging threaded rod.

Ocal® PVC-Coated Hanger Rod Beam Clamps

- Malleable iron construction
- Nominal .015" (15 mil) PVC coating in blue, white, gray or custom colors
- 500, 502 and 503 also available uncoated in Type 316 stainless steel; add -SS316 to catalog number to order (for example: 502-SS316)



Cat. No.	Color
500-	
_ = space for color identifier	
G = Gray	
W = White	
B = Blue	
Custom colors also available.	

CAT. NO.	BASE "A" IN. MM	BASE "B" IN. MM	JAW OPENING IN. MM	TAPPED HOLE IN. MM	LOAD RATING† LBS. KG
500- _	1 25.40	1¼ 31.75	1⅝ 23.81	¼ - 20 6.35 - 20	450 204.12
501- _	1½ 38.10	1⅝ 41.28	¾ 22.23	1⅞ - 18 7.94 - 18	800 362.87
502- _	2 50.80	2 50.80	1 25.40	¾ - 16 9.53 - 16	1300 589.67
503- _	2½ 66.68	2½ 63.50	1 25.40	½ - 13 12.70 - 13	1300 589.67
508- _	2½ 63.50	2½ 60.33	2½ 53.98	½ - 13 12.70 - 13	1700 771.11

* Metric size designator (ANSI C80.1-1994).

† Load ratings based on bottom hole of beam clamp with safety factor of three.

CSA File No. LR-52208

Includes stainless steel bolt and nut for fast, easy installation.

Ocal® PVC-Coated Mini Conduit Hangers

- Nominal .015" (15 mil) PVC coating in blue, white, gray or custom colors
- Rated for loads of up to 500 lbs. (226.80kg) with a safety factor of three



Cat. No.	Color
MINE1-	
_ = space for color identifier	
G = Gray	
W = White	
B = Blue	
Custom colors also available.	

CAT. NO.	PIPE SIZE IN. METRIC SIZE DESIGNATOR*
MINE1/2- _	½ 16
MINE3/4- _	¾ 21
MINE1- _	1 27
MINE1-1/4- _	1¼ 35
MINE1-1/2- _	1½ 41
MINE2- _	2 53
MINE2-1/2- _	2½ 63
MINE3- _	3 78
MINE3-1/2- _	3½ 91
MINE4- _	4 103

* Metric size designator (ANSI C80.1-1994).