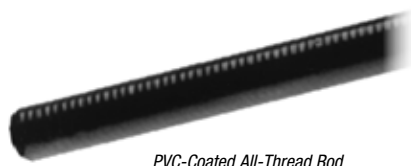


PVC-Coated Strut and Accessories

Continuously threaded rod for use with conduit hangers and strut to suspend overhead conduit runs.

PVC-Coated All-Thread Rod

- All-thread steel rod coated with nominal .015" (15 mil) PVC in blue, white or gray with custom colors available on request
- Available in ¼", ⅜" or ½" standard diameters and in 3-, 6- or 10-ft. standard lengths



PVC-Coated All-Thread Rod

Cat. No.	Diameter x Length	Color
THR3/8X3 - _		
_ = space for color identifier		
G = Gray		
W = White		
B = Blue		
Custom colors also available.		

Ocal® PVC-Coated Steel All-Thread Rod

CAT. NO.	TRADE SIZE	LENGTH
	IN. MM	FT. M
THR1/4X10- THR3/8X3- THR3/8X6- THR3/8X10- THR1/2X3- THR1/2X6- THR1/2X10-	¼ 6.35 ⅜ 9.53 ½ 12.70 ½ 12.70 ½ 12.70	10.00 3.05 3.00 0.91 6.00 1.83 10.00 3.05 3.00 0.91 6.00 1.83 10.00 3.05

Designed for easy attachment of conduit to strut!

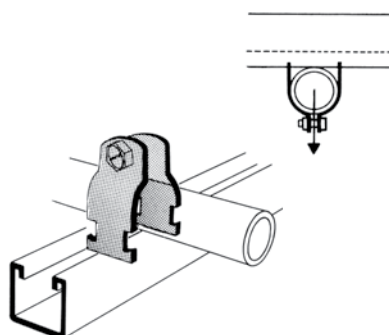
PVC-Coated Pipe Straps for Strut

Just twist-insert these pipe straps anywhere you need them along the slot side of a channel. For additional flexibility, you can position the straps as closely as your pipe couplings permit.

- Combination slot and hex head bolt for flexibility of attachment
- Captivated square nut on shoulder enables easy one-handed tightening
- Use with either 1⅝" or 1½" strut for greater versatility
- Shipped pre-assembled for easier counting, sorting and handling
- Available with nominal .015" (15 mil) PVC coating in your choice of blue, white or gray standard colors (custom colors also available on request)



PVC-Coated Pipe Strap



Cat. No.	Size	Color
SS1- - _		
_ = space for color identifier		
G = Gray		
W = White		
B = Blue		
Custom colors also available.		

Ocal® PVC-Coated Strut Pipe Straps

CAT. NO.	PIPE SIZE	METRIC SIZE DESIGNATOR*
	IN.	
SS1/2- SS3/4- SS1- SS1-1/4- SS1-1/2- SS2- SS2-1/2- SS3- SS3-1/2- SS4- SS5-	½ 16 1 27 1¼ 35 1½ 41 2 53 2½ 63 3 78 3½ 91 4 103 5 129	

* Metric size designator (ANSI C80.1-1994).