

Fittings and Accessories

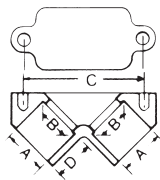
Flat Sealing Washer

Where a waterproof termination is required into any enclosure (metallic or nonmetallic), install the neoprene washer over the threads of a terminal adapter before inserting into the enclosure. Use a standard locknut or threaded bushing to secure the assembly.



Cat. No.	Size (in.)	Std. Ctn. Qty.
E943DW	1/2	125
E943EW	3/4	125
E943FW	1	100
E943GW	1-1/4	50
E943HW	1-1/2	50
E943JW	2	25

Access Pull Elbows



Cat. No.	Size (in.)	Std. Ctn. Qty.	Typical (in.)			
			A	B	C	D
E990D	1/2	75	0.852	0.836	2.187	0.718
E990DR-CAR	1/2	25	0.852	0.836	2.187	0.718
E990E	3/4	50	1.064	1.046	2.531	0.781

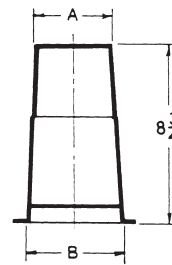
Gasket included

Holform™ Concrete Sleeves

HOLFORM™ nonmetallic concrete sleeve forms are the easy way to form holes in concrete. They install in seconds with nails, screws or staples and are easily removed. Concrete will not adhere to them. HOLFORM™ are adjustable to any slab thickness.



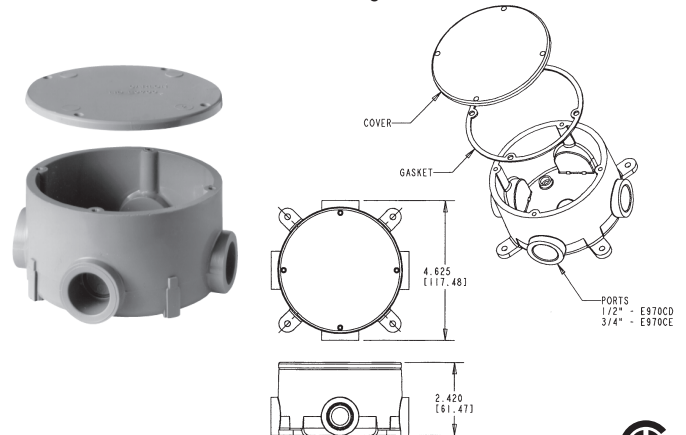
(Not CSA applicable)



Cat. No.	Min. O.D. A (in.)	B (in.)	Std. Ctn. Qty.	Std. Ctn. Wt. (lb.)
E92CSH	1-1/2	1-3/4	20	3
E92CSJ	2	2-13/32	25	6
E92CSL	3	3-13/32	25	8
E92CSN	4	4-13/32	18	8
E92CSP	5	5-13/32	15	8
E92CSR	6	6-13/32	12	8

Conduit Bodies Type X with Cover

Four knockout type socket openings, 90° spacing. Available with 1/2 in. or 3/4 in. socket outlets. Includes cover and gasket.



Cat. No.	Size (in.)	Vol. Cu. (in.)	Std. Ctn. Qty.
CE970CDE	1/2	15.16	15
E970CE	3/4	15.16	15

Supplied with 4 stainless steel cover screws. Diameter 4-1/8 in., Thickness 1/4 in.
Not designed for use with wiring devices or light fixtures.