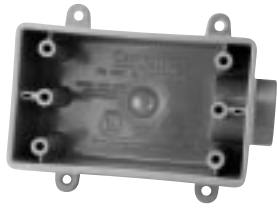




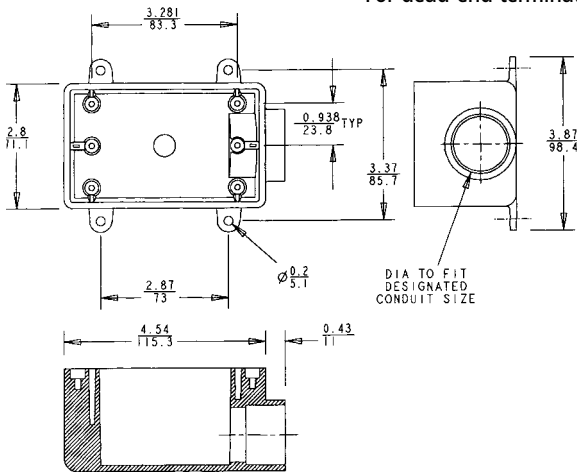
Single Gang FS Boxes

Type FSE

All sizes take standard covers and accessories or devices. Integral mounting feet provide easy mounting.



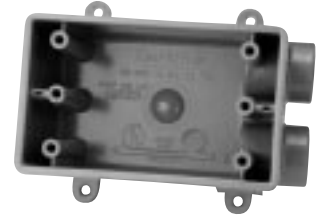
For dead-end terminations.



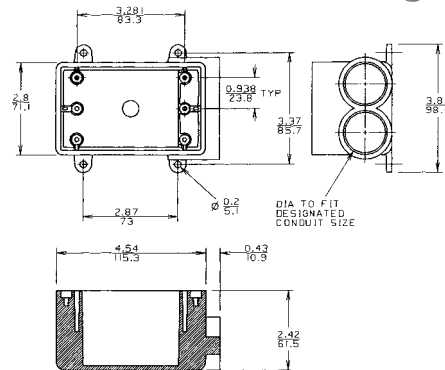
Part No.	Size	Vol. Cu. In.	Std. Ctn. Qty.
E980DFN	1/2	19	10
E980EFN	3/4	19	10
E980FFN-CAR	1	19	10

Type FSS

All sizes take standard covers and accessories or devices. Detachable mounting feet provide easy mounting.



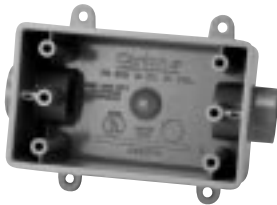
For multiple dead-end circuit terminations or where additional support is required in stub-up applications.



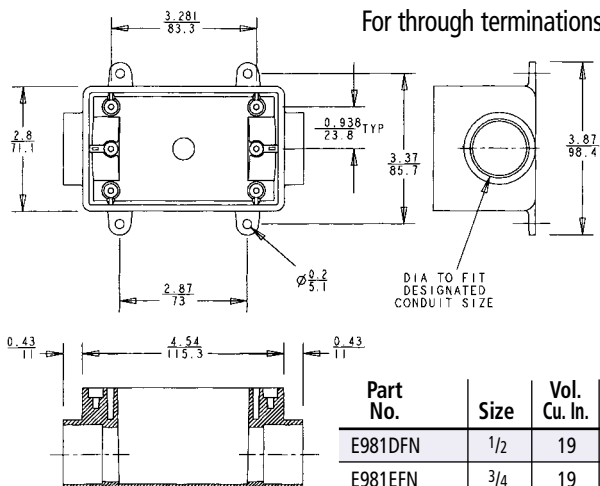
Part No.	Size	Vol. Cu. In.	Std. Ctn. Qty.
E982DFN	1/2	19	10
E982EFN	3/4	19	10
E982FFN-CAR	1	19	8

Type FSC

All sizes take standard covers and accessories or devices. Detachable mounting feet provide easy mounting.



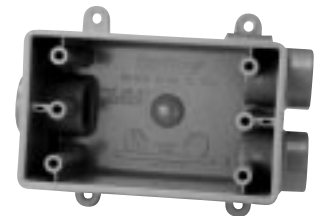
For through terminations.



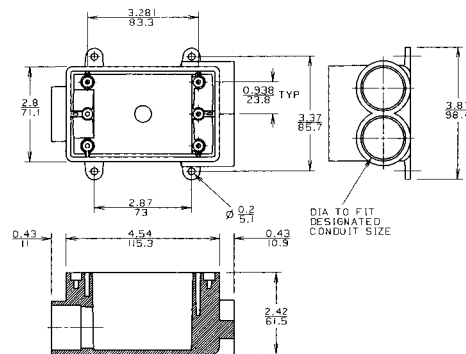
Part No.	Size	Vol. Cu. In.	Std. Ctn. Qty.
E981DFN	1/2	19	15
E981EFN	3/4	19	15
E981FFN-CAR	1	19	10

Type FSCC

All sizes take standard covers and accessories or devices. Detachable mounting feet provide easy mounting.



For multiple through circuit terminations or where additional support is required in stub-up applications.



Part No.	Size	Vol. Cu. In.	Std. Ctn. Qty.
E979DFN-CAR	1/2	19	10
E979EFN-CAR	3/4	19	10
E979FFN	1	19	15