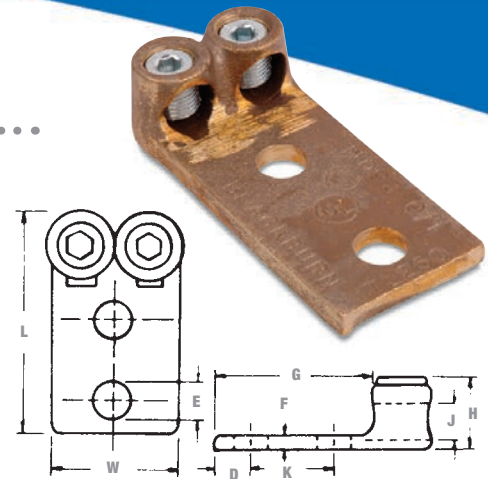


## Copper Mechanical Connectors

### Type TL — Two Conductors, Two-Hole Mount

- Conveniently terminates parallel conductors
- For copper conductors
- Screws are plated steel
- Compact design
- Add suffix P to catalogue number for tin plating
- One-piece construction for strength and durability
- Excellent for confined quarters
- CSA Certified and UL Listed
- Cast from high strength bronze alloy

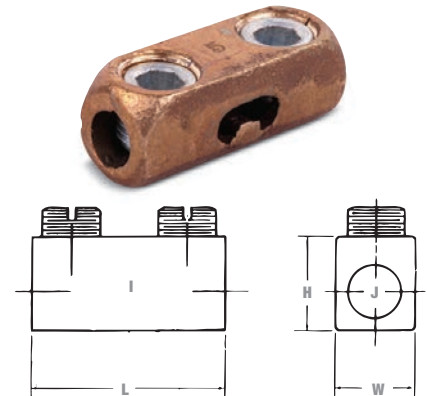


Cat. No.		Conductor Range		Dimensions (in.)								
Socket	Hex	Max.	Min.	L	W	H	F	K	E	D	G	J
TL250	TL250H	250 kcmil	1/0 str.	4-5/16	1-7/8	9/32	5/8	1-3/4	9/16	1-1/16	3-3/16	5/8
TL400	TL400H	500 kcmil	4/0 str.	4-3/4	2-9/16	13/32	11/16			1-9/16	3	7/8
TL650*	TL650H	1000 kcmil	500 kcmil	5-9/16	3-1/4	9/16	5/8			2-3/16	3-3/8	1-1/4

\*Four hole NEMA tang on TL650.

### Type S — Copper End-to-End Splice Connectors

- Cast of high strength bronze alloy
- Plated steel socket head set screws
- For copper conductors
- Compact design
- Add suffix P to catalogue number for tin plating
- One-piece construction for strength and durability
- Excellent for confined quarters
- CSA Certified and UL Listed



Cat. No.	Conductor Range		Dimensions (in.)				
	Max.	Min.	L	W	H	J	I
S100BB	1 str.	4 str.	1-11/16	5/8	11/16	3/8	15/16
S225BB*	4 str.	1 str.	2-3/16	27/32	31/32	9/16	1-3/16
S400BB	500 kcmil	4/0 str.	2-7/8	1-3/16	1-5/16	7/8	1-5/8

\* Not UL Listed.