

Cooper B-Line manufactures top-quality auxiliary supports for communications equipment. Our products are suitable for overhead or underfloor installations in customer premise or central office applications. Cooper B-Line offers an extensive variety of supports to meet your framing requirements. The primary methods of support are: SB20 Series - 2" (51mm) x 9/16" (14mm) Tube, SB22 Series - 2" (51mm) x 9/16" (14mm) Channel, SB23 Series - 2" (51mm) x 3/8" (9mm) Bar, SB24 Series - 2" (51mm) x 1" (25mm) Channel, and SB212 Series of support angles.

Along with auxiliary supports, Cooper B-Line offers all the necessary accessories to complete your job. Cooper B-Line has accessories which suspend from the ceiling, secure to the wall, and junction together all styles of auxiliary support.

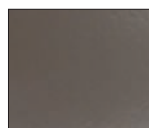
In addition, Cooper B-Line provides strut channel and fittings as an alternative to the traditional methods of auxiliary support. Strut is a bolt-together system of auxiliary support. Together with strut fittings, strut can be configured in endless combinations to provide a solution to any installation problem. Furthermore, Cooper B-Line can furnish 'Telescoping Strut', which offers an even more flexible and cost-effective way of addressing difficult overhead and underfloor bracing problems.

Superior design and top-quality manufacturing make Cooper B-Line the industry standard.

<b><u>Material:</u></b>	<b><u>Type</u></b>	<b><u>Thickness</u></b>	<b><u>Specifications</u></b>
	Steel Shapes	... 3/16" (4.8mm) - 3/8" (9.5mm)	..... ASTM A36
	Steel Strip	..... .042 (1.0mm) - .135 (3.4mm)	..... ASTM A1011
	Steel Tube	..... .060 (1.5mm)	..... ASTM A513
	Copper Bar	.....	..... ASTM B187, B152
	Silicon Bronze	.....	..... ASTM F468, F467, F651

**Finishes:**

- Powder Coat Paint
- Telco Gray (TG)
- Flat Black (FB)
- Yellow Zinc (YZ) ..... ASTM B633



(TG)  
Telco Gray



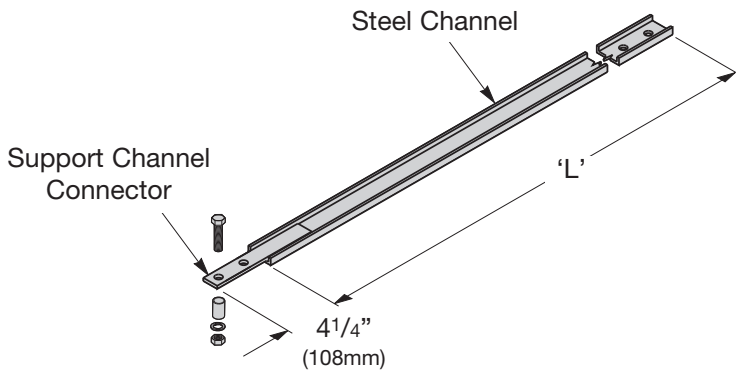
(FB)  
Flat Black



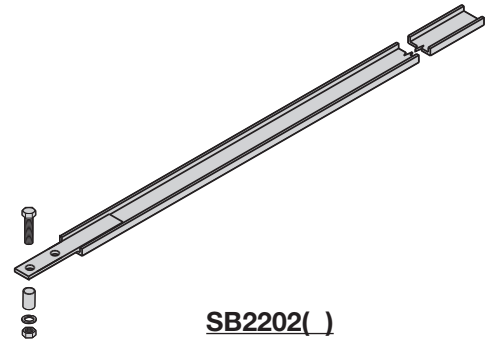
(YZ)  
Yellow Zinc

## 2" x 9/16" Support Channel

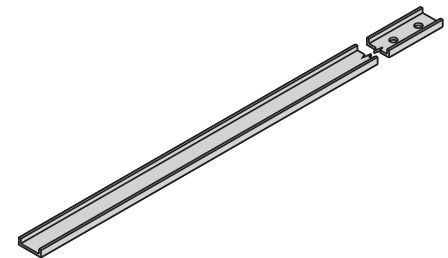
- Use as an auxiliary support.
- 2" (51mm) x 9/16" (14mm) x 3/16" (5mm) steel channel.
- Normally used in pairs.
- 9/16" (14mm) diameter attachment holes where shown.
- Includes: Pre-assembled channel, spacer, and hardware for 01 and 02 styles only.
- Material: ASTM A36 structural steel splices  
ASTM A36 structural steel channel
- Finish: Yellow Zinc (YZ),  
Telco Gray Powder Coat (TG) or  
Flat Black Powder Coat (FB)



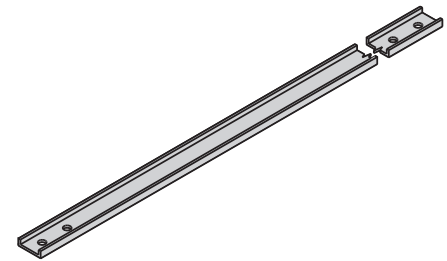
**SB2201( )**  
With Pre-assembled Welded Splice



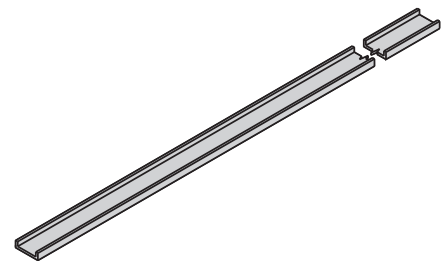
**SB2202( )**  
With Pre-assembled Welded Splice



**SB2203( )**



**SB2204( )**



**SB2205( )**

Part Number	Length 'L'		Weight	
	Ft.	(m)	Lbs.	(kg)
SB220103__	3'	(.91)	6.5	(2.9)
SB220105__	5'	(1.52)	10.0	(4.5)
SB220110__	10'	(3.05)	18.8	(8.5)
SB220203__	3'	(.91)	6.5	(2.9)
SB220205__	5'	(1.52)	10.0	(4.5)
SB220210__	10'	(3.05)	18.8	(8.5)
SB220303__	3'	(.91)	5.3	(2.4)
SB220305__	5'	(1.52)	8.8	(4.0)
SB220310__	10'	(3.05)	17.6	(8.0)
SB220403__	3'	(.91)	5.3	(2.4)
SB220405__	5'	(1.52)	8.8	(4.0)
SB220410__	10'	(3.05)	17.6	(8.0)
SB220503__	3'	(.91)	5.3	(2.4)
SB220505__	5'	(1.52)	8.8	(4.0)
SB220510__	10'	(3.05)	17.6	(8.0)