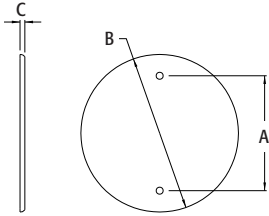


Box Covers



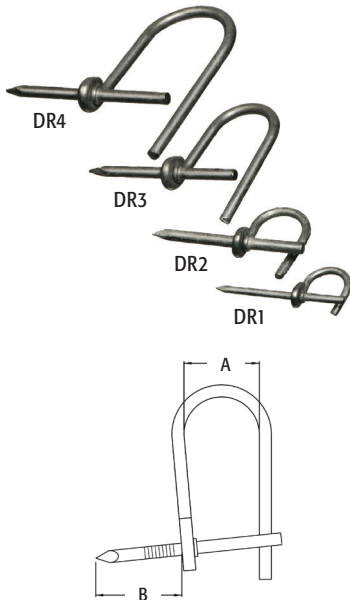
Covers 4" round or octagonal boxes. Non-metallic. Will not rust.

FEATURES AND BENEFITS

- Paintable to blend with any wall or ceiling
- Comes with white painted screws to blend with cover
- Reusable and flexible
- Will not rust or discolor

CATALOG NUMBER	UPC/DCI/NAED MFG #018997	BOX SIZE	UNIT PKG	STD PKG	DIM A	DIM B	DIM C
CP40	15040	4"	1	40	3.500	4.750	.150

Drive Rings



Made of corrosion-resistant galvanized steel, this series of drive rings provides sturdy support for wire and cable.

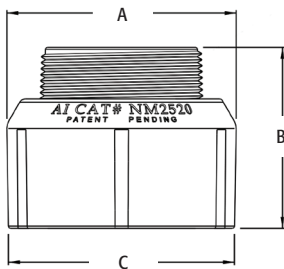
FEATURES AND BENEFITS

- Can be used on outside walls, inside walls, wood studs and utility poles
- Quick and easy to install, fastens to surface with a hammer
- Loop is open making it easy to insert or remove cable
- Size is measurement between loops

CATALOG NUMBER	UPC/DCI/NAED MFG #018997	DESCRIPTION/STYLE	UNIT PKG	STD PKG	DIM A	DIM B
DR1	01551	1/2" Drive Ring	100	1000	1/2"	1-1/4"
DR2	01552	5/8" Drive Ring	50	500	5/8"	1-3/8"
DR3	01553	7/8" Drive Ring	50	500	7/8"	1-3/8"
DR4	01554	1-1/4" Drive Ring	25	250	1-1/4"	1-7/8"



Slip Meter Riser Fitting



Designed to create an expansion joint in the installation of an electrical service entrance.

FEATURES AND BENEFITS

- Fast, easy underground service installations
- Protects cable from freeze/thaw ground movement
- Meets 2014 NEC 300.7(B) and 300.5(J)

CATALOG NUMBER	UPC/DCI/NAED MFG #018997	DESCRIPTION/STYLE	UNIT PKG	STD PKG	DIM A	DIM B	DIM C
NM2520	54565	2" KO size	10	10	3.329	2.625	3.276



INSTALLATION INSTRUCTIONS



1. Glue NM2520 onto 2-1/2" PVC conduit. Slip 2-1/2" conduit over 2" non-metallic conduit coming from the ground. (PVC conduit not supplied.)
2. Attach the NM2520 to the bottom of the meter enclosure. 2 to 2-1/2" meter riser fitting holds conduit firmly in place. (Locknut is not supplied.)