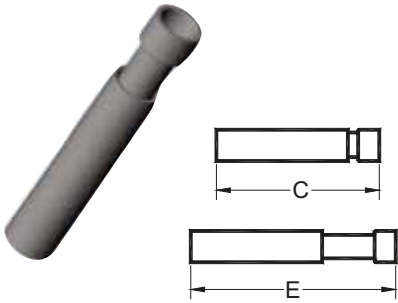


# EXPANSION COUPLINGS, STRAPS, METER ACCESSORIES


## EXPANSION COUPLINGS - Two Piece

|  | Size (in) | Part Number | Unit Quantity | Expanded (E) (in) | Contracted (C) (in) | Travel (in) |
|---|-----------|-------------|---------------|-------------------|---------------------|-------------|
|   | 1/2       | 789646      | 25            | 12.00             | 8.00                | 4.00        |
| 3/4   | 789647    | 25          | 12.00         | 8.00              | 4.00                |             |
| 1   | 789648    | 40          | 12.50         | 8.50              | 4.00                |             |
| 1 1/4   | 789649    | 20          | 13.00         | 9.00              | 4.00                |             |
| 1 1/2   | 789650    | 20          | 13.00         | 9.00              | 4.00                |             |
| 2   | 789651    | 10          | 13.25         | 9.25              | 4.00                |             |
| 2 1/2   | 789652    | 9           | 13.25         | 9.25              | 4.00                |             |
| 3   | 789653    | 9           | 22.25         | 14.25             | 8.00                |             |
| 3 1/2   | 789654    | 5           | 22.25         | 14.25             | 8.00                |             |
| 4   | 789655    | 5           | 22.25         | 14.25             | 8.00                |             |
| 5   | 789656    | 1           | 22.25         | 14.25             | 8.00                |             |
| 6   | 789657    | 1           | 22.25         | 14.25             | 8.00                |             |

## PIPE STRAPS - PVC - 2 Hole

|  | Pipe Size (in) | Part Number | Unit Quantity |
|--|----------------|-------------|---------------|
|  | 1/2            | 59280       | 4x100         |
| 3/4  | 59281          | 4x100       |               |
| 1  | 59282          | 5x100       |               |
| 1 1/4  | 59283          | 8x50        |               |
| 1 1/2  | 59284          | 9x25        |               |
| 2  | 59285          | 8x25        |               |

## PIPE STRAPS - PVC Coated Steel - 2 Hole

|  | Pipe Size (in) | Part Number | Unit Quantity |
|---|----------------|-------------|---------------|
|   | 2 1/2          | 802839      | 50            |
| 3   | 802840         | 25          |               |
| 3 1/2   | 802841         | 25          |               |
| 4   | 802842         | 15          |               |
| 5   | 802843         | 10          |               |
| 6   | 802844         | 5           |               |

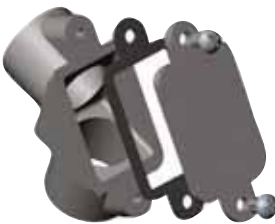
## METER OFFSETS

|  | Size (in) | Part Number | Unit Quantity |
|---|-----------|-------------|---------------|
|   | 1 1/4     | 59193       | 40            |
| 2   | 59194     | 25          |               |


## METER HUBS

|  | Size (in) | Part Number | Unit Quantity |
|--|-----------|-------------|---------------|
|  | 1 1/4     | 802801      | 50            |
| 1 1/2  | 802802    | 25          |               |
| 2  | 802803    | 50          |               |

## PULLING ELBOW

|  | Size (in) | Part Number | Unit Quantity |
|---|-----------|-------------|---------------|
|   | 1/2       | 52400       | 50            |
| 3/4   | 52401     | 50          |               |

## SERVICE ENTRANCE FITTINGS

|  | Size (in) | Part Number | Unit Quantity |
|--|-----------|-------------|---------------|
|  | 1/2       | 59269       | 25            |
| 3/4  | 59270     | 25          |               |
| 1  | 59271     | 15          |               |
| 1 1/4  | 59272     | 20          |               |
| 1 1/2  | 59273     | 20          |               |
| 2  | 59274     | 20          |               |
| 2 1/2  | 59275     | 2           |               |
| 3  | 59276     | 2           |               |
| 3 1/2  | 59277     | 2           |               |
| 4  | 59278     | 2           |               |