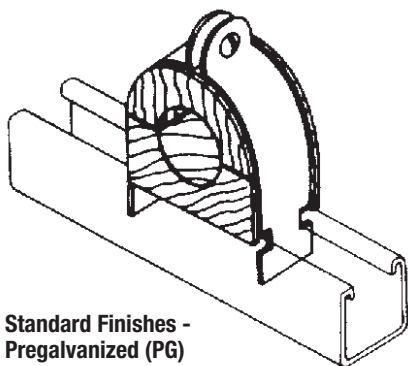


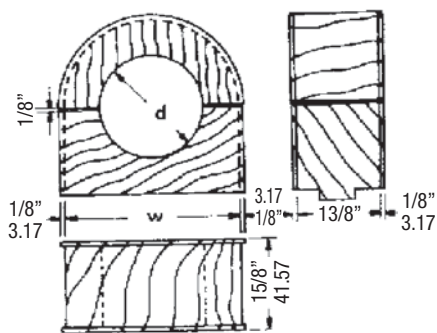
Pipe Straps, Pipe Clamps and Hangers

Conduit and Cable Clamps

W716 Maple Hardwood Clamps



Standard Finishes -
Pregalvanized (PG)
Aluminum (AL)

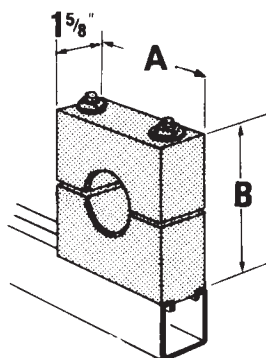


Paraffin impregnated maple.

Cat. No.	Dimensions			
	Depth		Width	
Hardwood Paraffin Imp.	(in.)	(mm)	(in.)	(mm)
W716-3/4PG	3/4	19.0	2-1/8	53.9
W716-1PG	1	25.4	2-1/8	53.9
W716-1-1/4PG	1-1/4	31.7	2-5/8	66.6
W716-1-1/2PG	1-1/2	38.1	2-5/8	66.6
W716-1-3/4PG	1-3/4	44.4	3	76.2
W716-2PG	2	50.8	3-5/8	92.0
W716-2-1/4PG	2-1/4	57.1	3-5/8	92.0
W716-2-1/2PG	2-1/2	63.5	4-5/8	117.7
W716-2-3/4PG	2-3/4	69.8	4-5/8	117.7
W716-3PG	3	76.2	4-5/8	117.7
W716-4PG	4	98.0	5-5/8	143.4

Note: Holding clamp is included with W716 maple hardwood clamps. It is not necessary to order 701 Series separately.

U861, U862 and 863 Maple Cable Clamp



Electrogalvanized hardware included.

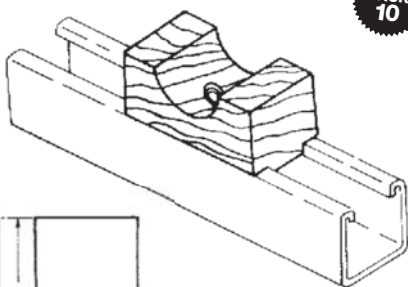
Custom made to your needs

Step 1		Cat. No.	Number of holes
	i.e.	U861	1 hole
		U862	2 holes
		U863	3 holes
Step 2	Specify O.D. of cable		
	i.e. 3/4 in. hole	U861 - 0.75	

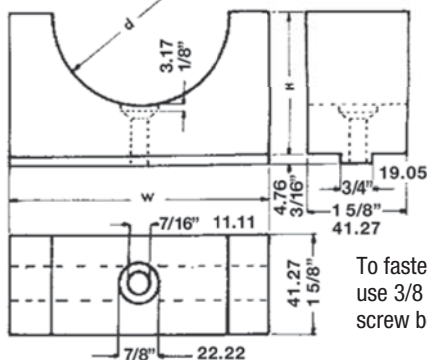
Communiquer avec le bureau régional des ventes.

WS716 Maple Hardwood Saddle

Paraffin impregnated maple.



STD. PACK 10



To fasten saddle, use 3/8 in. x 2 in. screw bolt.

Cat. No.	Dimensions					
	Depth		Width		Height	
Hardwood Paraffin Imp.	(in.)	(mm)	(in.)	(mm)	(in.)	(mm)
WS716-3/4	3/4	19.0	3	76.2	1-3/4	44.4
WS716-1	1	25.4	3	76.2	1-3/4	44.4
WS716-1-1/4	1-1/4	31.7	3-1/2	88.9	2	50.8
WS716-1-1/2	1-1/2	38.1	3-1/2	88.9	2	50.8
WS716-1-3/4	1-3/4	44.4	4	101.6	2-1/4	57.1
WS716-2	2	50.8	4	101.6	2-1/4	57.1
WS716-2-1/4	2-1/4	57.1	4-1/2	114.3	2-1/2	63.5
WS716-2-1/2	2-1/2	63.5	4-1/2	114.3	2-1/2	63.5
WS716-2-3/4	2-3/4	69.8	5	127	2-3/4	69.8
WS716-3	3	76.2	5	127	2-3/4	69.8
WS716-3-1/4	3-1/4	82.5	5-1/2	139.7	2-3/4	76.2
WS716-3-1/2	3-1/2	88.9	5-1/2	139.7	3	76.2
WS716-3-3/4	3-3/4	95.2	6	152.4	3-1/4	82.5
WS716-4	4	101.6	6	152.4	3-1/4	82.5
WS716-4-1/2	4-1/2	114.3	6-1/2	165.1	3-1/2	88.9
WS716-5	5	127	7	177.8	3-3/4	95.2
WS716-5-1/2	5-1/2	139.7	7-1/2	190.5	4	101.6
WS716-6	6	152.4	8	203.2	4-1/4	107.9
WS716-6-1/2	6-1/2	165.1	8-1/2	215.9	4-1/2	114.3
WS716-7	7	177.8	9	228.6	4-3/4	120.6