

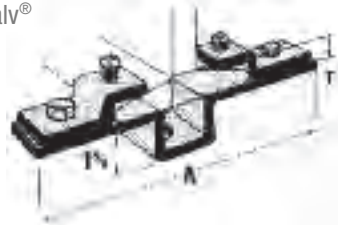
Beam Clamps

Beam Clamps for Mounting Channel

U520, U521, U522

***Finishes**

- GoldGalv®



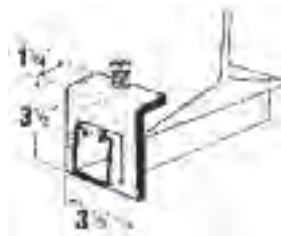
Nuts, cap screws and set screws included.

Cat. No.	Flange Width	A	Wt./C lb.	Design Load lb./ea
U520*	2-3/8 - 4-1/2	8-3/4	328	2000
U521*	3-3/4 - 5-3/4	10	343	1300
U522*	5-5/8 - 7-5/8	11-7/8	353	900

A597

***Finishes**

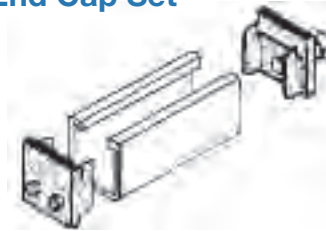
- HDGC
- SS6C



Cat. No.	Channel Series	Wt./C lb.	Design Load lb./ea
A597*	A	108	800

U544 Single Adjusting Screw End Cap Set

U544EG



Should be ordered as one set.

Wt./C 39 lb.

U543 Adjusting Screw End Caps

U543HDG

U543EG

U543



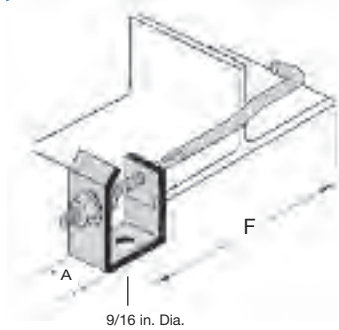
Should be ordered in multiples of two (2).

Wt./C 44 lb.

U570-1, U570-2

***Finishes**

- HDGC



Cat. No.	A (in.)	F (in.)	Wt./C lb.	Design Load lb./ea
U570-1*	1-1/2	4 to 9	240	800
U570-2*	1-1/2	7 to 17	300	800

Materials

HDG(C)
EG(C)
(No suffix)
SS6(C)

Hot-Dipped Galvanized
ElectroGalvanized
GoldGalv®
Stainless Steel 316