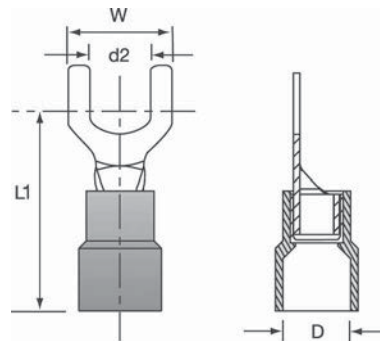


Nylon Insulated Fork Terminals DIN 46237



Technical Information

Material	Copper
Plating	Tin-plated
Marking	Wire size and bolt size stamped on the tongue
Metal barrel	Brazed seam to prevent barrel separation
Insulation	PA = Polyamide Ideal for harsh environments, provides excellent chemical, impact and abrasion resistance
Temperature resistance	+85°C / +105°C
Colour coding of the insulation	According to the wire size
Cable insertion	Easy entry



Ordering Information

Cat. No.	Wire Size Range (mm ²)	Colour	Stud Hole Size d2	Dimensions			Wt. (g/100)	Qty. (pieces)	Crimping Tool
				W (mm)	L1 (mm)	D (mm)			
TRA3F	0.5 - 1.5	Red	M3	5.7	22.0	4.0	65	100	ERG2001A WT2124Y
TRA35F	0.5 - 1.5		M3.5	6.2	22.0	4.0	62		
TRA4F	0.5 - 1.5		M4	7.2	22.0	4.0	70		
TRA5F	0.5 - 1.5		M5	8.0	22.0	4.0	92		
TRA6F	0.5 - 1.5		M6	10.8	23.0	4.0	102		
TRB3F	1.5 - 2.5		Blue	M3	5.7	22.2	4.5		
TRB35F	1.5 - 2.5	M3.5		6.2	22.2	4.5	74		
TRB4F	1.5 - 2.5	M4		7.2	22.2	4.5	80		
TRB5F	1.5 - 2.5	M5		8.0	22.2	4.5	110		
TRB6F	1.5 - 2.5	M6		10.8	23.5	4.5	122		
TRC4F	4.0 - 6.0	Yellow		M4	8.2	26.7	6.4		
TRC5F	4.0 - 6.0		M5	9.0	26.7	6.4	182		
TRC6F	4.0 - 6.0		M6	12.0	30.3	6.4	190		