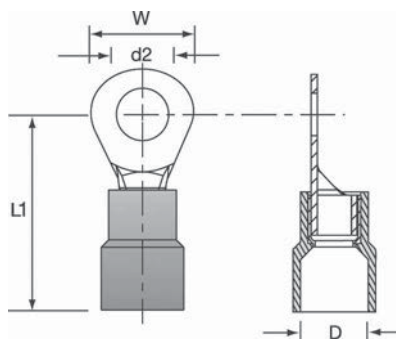


## Nylon Insulated Ring Terminals DIN 46237

### Technical Information

<b>Material</b>	Copper
<b>Plating</b>	Tin-plated
<b>Marking</b>	Wire size and bolt size stamped on the tongue
<b>Metal barrel</b>	Brazed seam to prevent barrel separation
<b>Insulation</b>	PA = Polyamide Ideal for harsh environments, provides excellent chemical, impact and abrasion resistance
<b>Temperature resistance</b>	+85°C / +105°C
<b>Colour coding of the insulation</b>	According to the wire size



### Ordering Information

Cat. No.	Wire Size Range (mm <sup>2</sup> )	Colour	Stud Hole Size d2	Dimensions			Wt. (g/100)	Qty. (pieces)	Crimping Tool		
				W (mm)	L1 (mm)	D (mm)					
TRA3	0.5 - 1.5	Red	M3	5.5	17.5	4.0	70	100	ERG2001A WT2124Y		
TRA35	0.5 - 1.5		M3.5	6.6	20.4	4.0	67				
TRA4	0.5 - 1.5		M4	8.0	21.8	4.0	76				
TRA5	0.5 - 1.5		M5	8.0	21.8	4.0	79				
TRA6	0.5 - 1.5		M6	11.6	27.5	4.0	108				
TRA8	0.5 - 1.5		M8	11.6	27.5	4.0	134				
TRB3	1.5 - 2.5	Blue	M3	6.0	20.6	4.5	79			100	ERG2001A WT2124Y
TRB35	1.5 - 2.5		M3.5	8.5	23.0	4.5	76				
TRB4	1.5 - 2.5		M4	8.5	23.0	4.5	79				
TRB5	1.5 - 2.5		M5	9.5	22.9	4.5	89				
TRB6	1.5 - 2.5		M6	12.0	28.0	4.5	117				
TRB8	1.5 - 2.5		M8	12.0	28.0	4.5	148				
TRB10	1.5 - 2.5	M10	13.6	31.7	4.5	204	100	ERG2001A WT2124Y			
TRC4-EU	4.0 - 6.0	Yellow	M4	7.4	26.7	6.4			158		
TRC5-EU	4.0 - 6.0		M5	9.5	26.7	6.4			175		
TRC6-EU	4.0 - 6.0		M6	12.0	32.7	6.4			187		
TRC8	4.0 - 6.0		M8	15.0	34.9	6.4	230				
TRC10	4.0 - 6.0	M10	15.0	34.9	6.4	296					