

## Interlocking Insulating Covers for Compression Taps

Quick and easy insulation for H-type compression taps.

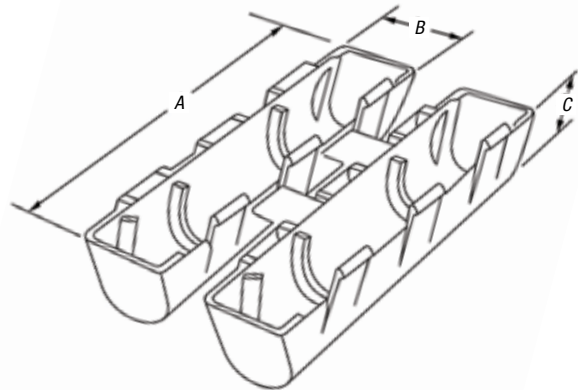
### H-Tap Insulating Covers (Soft Cover)

- Eliminates taping
- Provided with three positive locking latches and overlapping fringe for maximum cable insulation



#### Specifications

- Rating: 90° C, 600V.  
Made of flame-retardant, high-impact polypropylene.
- Material: Polypropylene
- Color: Black
- Voltage Rating: 600V max.
- Temperature: 90° C



(C) Height — typical both halves



CAT. NO.	WIRE RANGE		AL H-TAPS	USE TO INSULATE	DIMENSIONS (IN.)			"A" DIM.	"B" DIM.
	MAX.	MIN.			A	B	C		
HT20C	2/0 AWG	#6 AWG	63110/63115 63125/63120	—	4½	1¼	1⅝	—	—
HT40C	4/0 AWG	#6 AWG	63140 63148	—	5 <sup>3</sup> / <sub>64</sub>	1 <sup>1</sup> / <sub>32</sub>	1 <sup>1</sup> / <sub>16</sub>	—	—
HT600C	500 kcmil	#2 AWG	63160	63169	6 <sup>1</sup> / <sub>16</sub>	2 <sup>1</sup> / <sub>8</sub>	1 <sup>3</sup> / <sub>64</sub>	—	—
HT1000C	1000 kcmil to 500 kcmil	250 kcmil to 1/0 AWG	63180	—	—	—	—	7.250 (184.15mm)	2.330 +.060
HT1000C-L	1000 kcmil to 500 kcmil	250 kcmil to 250 kcmil	63170	—	—	—	—	10.374 (263.40mm)	2.330 +.060