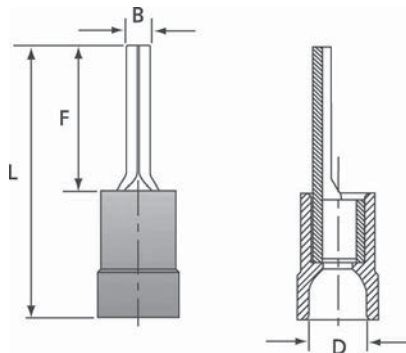


## Polycarbonate Insulated Pin Terminals



### Technical Information

<b>Material</b>	Electrolytic copper
<b>Plating</b>	Tin-plated
<b>Metal barrel</b>	Brazed seam to prevent barrel separation
<b>Insulation</b>	PC = Polycarbonate
<b>Temperature resistance</b>	+115°C / +125°C
<b>Colour coding of the insulation</b>	According to the wire size
<b>Cable insertion</b>	Easy entry



### Ordering Information

Cat. No.	Wire Size Range (mm <sup>2</sup> )	Colour	Dimensions				Wt. (g/100)	Qty. (pieces)	Crimping Tool
			L (mm)	F (mm)	B (mm)	D (mm)			
RZP	0.25 - 0.75	Green	22.0	12.0	1.8	3.2	47	100	ERG2510
RAP	0.5 - 1.5	Red	22.0	12.0	1.9	4.0	67		ERG2001A
RBP	1.5 - 2.5	Blue	22.0	12.0	1.9	4.5	80		WT2124Y
RCP	4.0 - 6.0	Yellow	27.0	14.0	2.8	6.4	175		