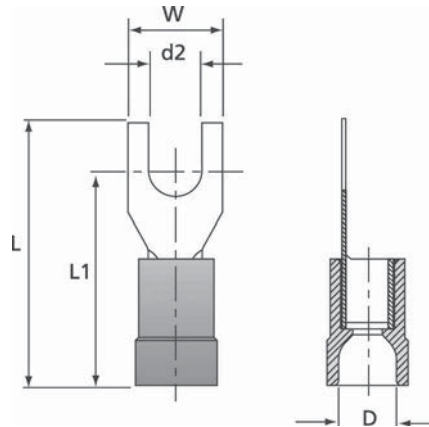


Polycarbonate Insulated Fork Terminals

Technical Information

Material	Electrolytic copper
Plating	Tin-plated
Marking	Wire size and bolt size stamped on the tongue
Metal barrel	Brazed seam to prevent barrel separation
Insulation	PC = Polycarbonate
Temperature resistance	+115°C / +125°C
Colour coding of the insulation	According to the wire size
Cable insertion	Easy entry



Ordering Information

Cat. No.	Wire Size Range (mm ²)	Colour	Stud Hole Size d2	Dimensions				Wt. (g/100)	Qty. (pieces)	Crimping Tool
				W (mm)	L (mm)	D (mm)	L1 (mm)			
RZ3F	0.25 - 0.75	Green	M3	5.5	18.0	3.2	15.0	41	100	ERG2510
RZ4F	0.25 - 0.75		M4	7.5	21.0	3.2	17.5	41		
RA35F	0.5 - 1.5	Red	M3.5	5.5	21.0	4.0	17.5	62		
RA4F	0.5 - 1.5		M4	7.0	20.5	4.0	17.0	64		
RA5F	0.5 - 1.5		M5	9.0	22.5	4.0	18.0	75		
RA6F	0.5 - 1.5	M6	11.0	26.5	4.0	21.0	90			
RB3F	1.5 - 2.5	Blue	M3	5.5	19.0	4.5	16.0	72		
RB4F	1.5 - 2.5		M4	7.0	20.5	4.5	17.0	84		
RB5F	1.5 - 2.5		M5	9.0	22.5	4.5	18.0	96		
RB6F	1.5 - 2.5		M6	11.0	26.5	4.5	21.0	113		
RC4F	4.0 - 6.0	Yellow	M4	8.0	24.0	6.4	20.5	159		
RC5F	4.0 - 6.0		M5	9.0	25.0	6.4	20.5	161		
RC6F	4.0 - 6.0		M6	11.0	28.5	6.4	23.0	174		
RC8F	4.0 - 6.0		M8	14.0	31.0	6.4	24.0	207		
RC10F	4.0 - 6.0	M10	18.0	36.0	6.4	27.0	280			