

# Sta-Kon<sup>®</sup>

## Insulated sectional terminal block (6 male tabs)

### Technical Information

Material	Brass
Plating	Tin plated
Insulation	PA = Polyamide Ideal for harsh environments, provides excellent chemical, impact and abrasion resistance
Colour	Black
Temperature resistance	+105°C
Voltage	250V

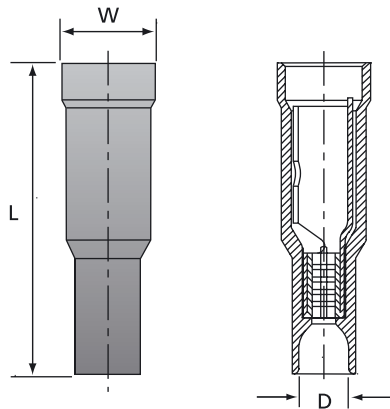


5.1

### Ordering Information

PRODUCT REF.	TAB SIZE [mm <sup>2</sup> ]	MOUNTING METHOD	WEIGHT [g/100]	QUANTITY [pieces]
MTB1-TB	6 male tabs 6.3 x 0.8	M4 fillister head screw	798	100

## Fully insulated bullet female receptacles



### Technical Information

Material RAB	Phosphor bronze
Material RB5B	Brass
Plating	Tin plated
Metal barrel: RAB	Brazed seam to prevent barrel separation
Metal barrel: RB5B	Non brazed, with brass support sleeve
Insulation RAB	Polycarbonate
Insulation RB5B	PVC
Colour coding of the insulation	According to the wire size (DIN)
Cable insertion	Easy entry for RAB

### Ordering Information

PRODUCT REF.	WIRE SIZE RANGE [mm <sup>2</sup> ]	COLOUR	DIMENSIONS			WEIGHT [g/100]	QUANTITY [pieces]	CRIMPING TOOL*
			W [mm]	L [mm]	D [mm]			
RAB	0.5 - 1.5	Red	3.9	25.0	4.0	115	100	ERG2000KE
RB5B	1.5 - 2.5	Blue	4.9	26.0	4.3	144	100	ERG2001A, WT2124Y

\* Use selection chart to determine appropriate die set (see page 313)  
See pages 307 to 313 for tooling specifications