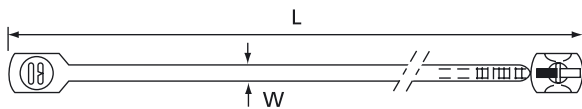
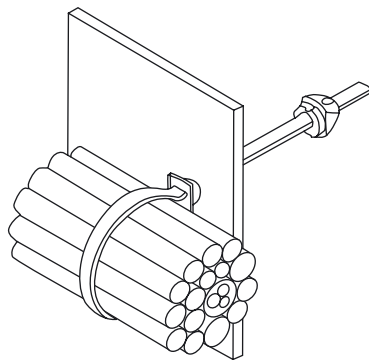




# Ty-Rap<sup>®</sup>

## Premium cable ties with steel locking barb Special ties for blind mounting

- Suitable for hard-to-reach areas
- Fast hidden mounting on walls and vehicle chassis
- Twist off the locking head
- Pull the tie end through the fastening hole
- Place locking head on tie end
- Pull tight and cut off excess
- In the locked state, the locking head neatly covers the mounting hole



### Technical Information

Material - Moulding	Polyamide 6.6
Material - Locking barb	316 grade stainless steel
Temperature range	-40°C to +85°C
Colour	Natural or UV-resistant black (see table)
Flammability rating	UL 94 V-2
Other properties	UV-resistant (black), Halogen free Silicone free

### Approvals



E49405

### Ordering Information

PRODUCT REF.	COLOUR	DIAMETER OF MOUNTING HOLE [mm]	LENGTH L [mm]	WIDTH W [mm]	THICKNESS [mm]	BUNDLE DIAMETER FROM ... TO [mm]	MINIMUM TENSILE STRENGTH [N]	QUANTITY [pieces]	TOOLING
TYG34M	natural	6.4 - 7.0	160	3.6	1.1	2 - 32	180	1000	ERG299 WT193A
TYG534M	natural	6.4 - 7.0	160	3.6	1.1	2 - 32	180	100	
TYG34MX	UV-resistant black	6.4 - 7.0	160	3.6	1.1	2 - 32	180	1000	TR227
TYG534MX	UV-resistant black	6.4 - 7.0	160	3.6	1.1	2 - 32	180	100	

For tooling specifications see pages 92 to 99