

Sta-Kon® Application Tools

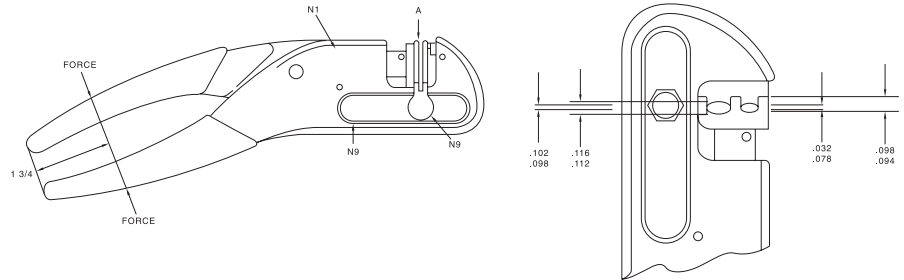


WT465

Installs .110 RA, RB disconnects.
Pre-load requirement: 20-50 lbs.

Ratchet Hand Tools

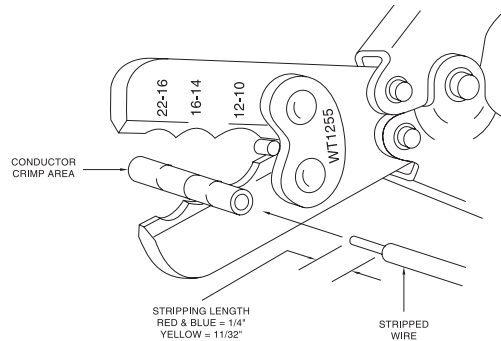
Cat. No.	Description	Std. Pkg.
WT465	RA, RB .110 insulated disconnects	1



Ratchet Hand Tools

Cat. No.	Description	Std. Pkg.
WT1255	RA, RB, RC Heat Shrinkable nylon insulated terminals, butt splices and disconnects	1

Pre-load 35 to 45 pounds.



WT1255

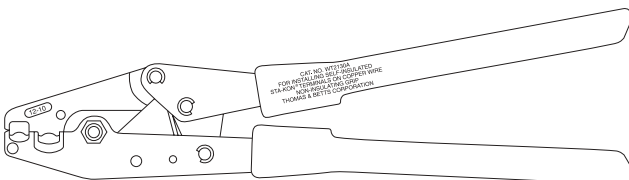
Nest	Gaging
22-18	.098/.086
16-14	.113/.101
12-10	.161/.149



WT2130A

Installs RBC, RC, RD, Sta-Kon® terminals and RC6 and RP7 wire joints.

The force required to release the Shure-Stake® mechanism should be 20 lbs. minimum.



Ratchet Hand Tools

Cat. No.	Description	Std. Pkg.
WT2130A	RC, RBC, and RD insulated terminal #14-#8	1

WT2130A

Nest	Gaging Min.-Max.
12-10	.147 - .157
8	.185 - .195